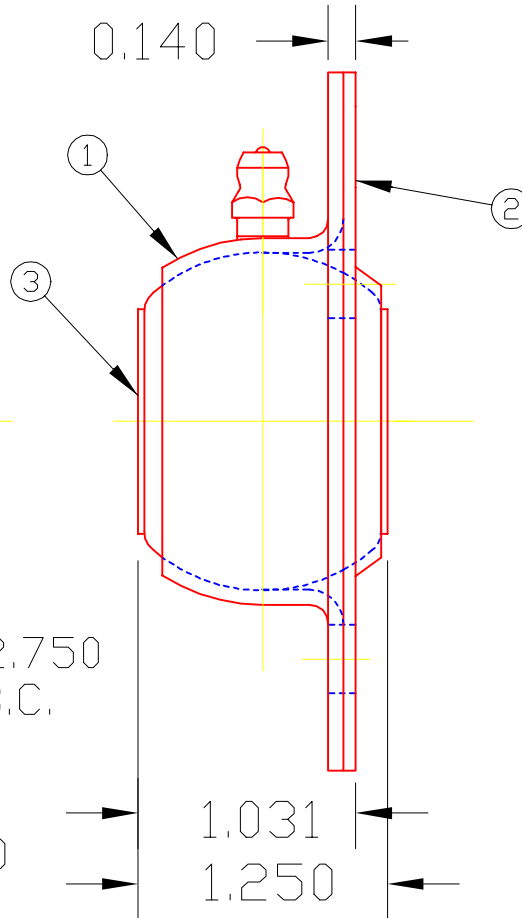
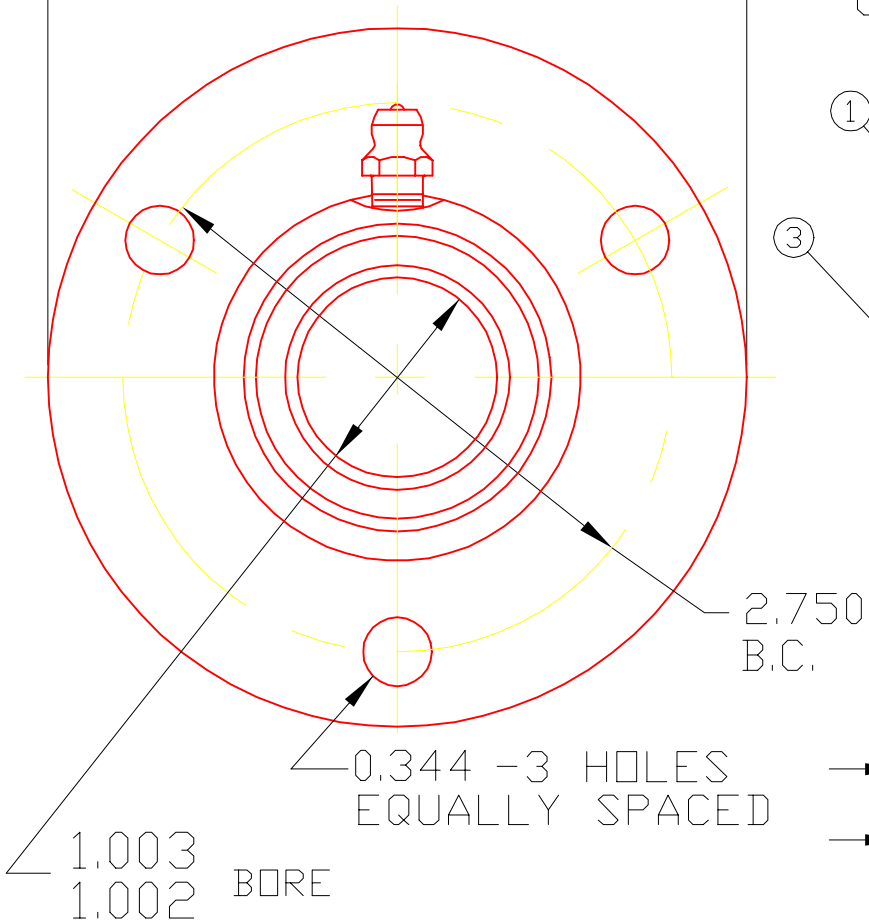


GBH16G

3.500 DIA.

NOTE: SHIPPED AS UNASSEMBLED COMPONENT PARTS



3	H16G	BALL BRG.	1
2	1898	BACK PLATE	1
1	1769	MOUNTING	1

DET	PART NUMBER	DESCRIPTION	AMT
-----	-------------	-------------	-----

△ TRIANGLE MANUFACTURING CO.  
OSHKOSH, WI.

NAME MID FLANGE BRG.

USED IN GB-SERIES

DATE 12-30-65 PART NO.

DRAWN SP

CHECKED SP

SCALE 1 / 1

GBH16G

CHANGE LEVEL	
A	2-25-74

LUB. NONE

PLATING GALV.

MATERIAL SEE DETAILS

ALL DIMS ±.02 UNLESS SPECIFIED