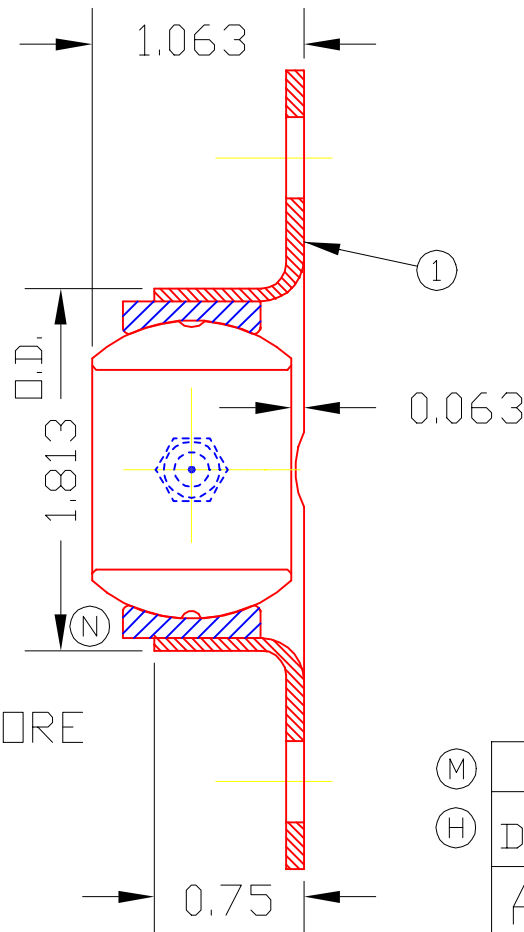
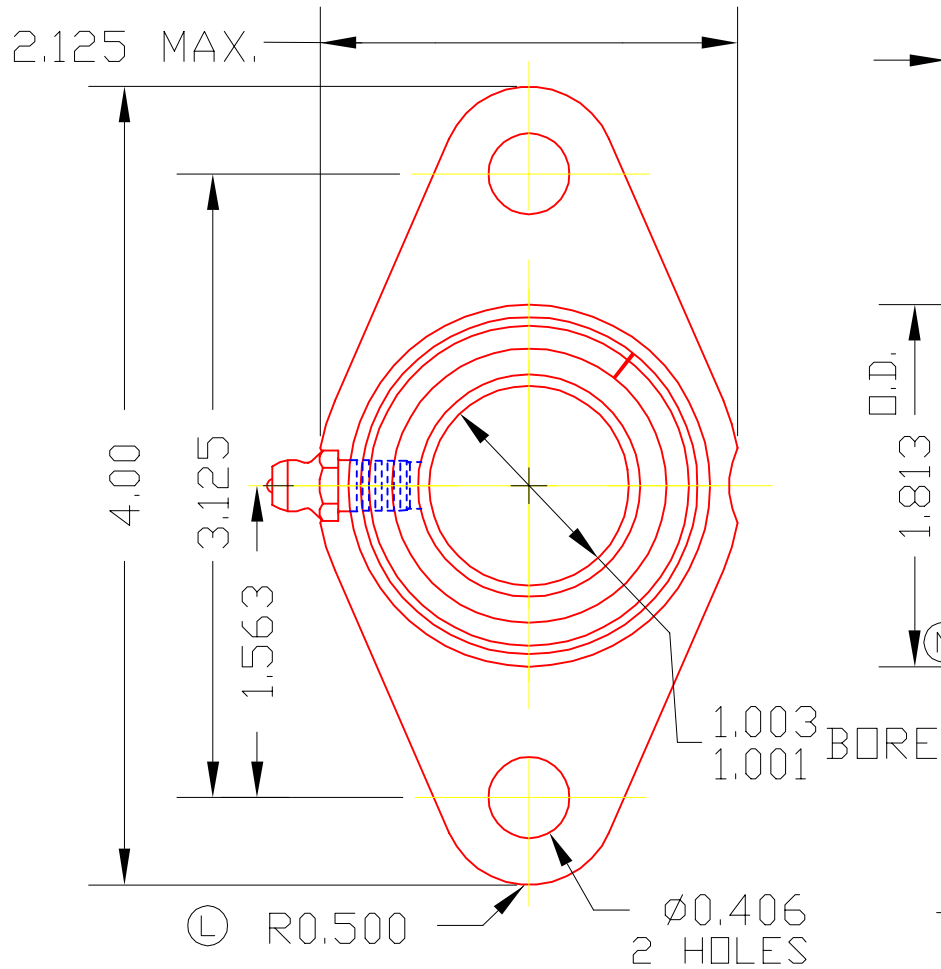


FG4016G



STAMP
"TRIANGLE"
"OSHKOSH WIS"

NOTE: GROOVED BALL
* ASTM #164-55RS
OR #G60 GALV.

Ⓜ	DET	PART NUMBER	DESCRIPTION	AMT
1		FG7151G	FLANGE ASS'Y	1

△ TRIANGLE MANUFACTURING CO.
OSHKOSH, WI.

NAME SIDE FLANGE BRG. ASS'Y

USED IN FG SERIES

DATE 12-9-75 PART NO.

DRAWN SP

CHECKED SP

SCALE 1 / 1

FG4016G

FIT	SNUG
PLATING	GALV
MATERIAL	MILD STL. & SINT. BRONZE
* ALL DIMS. ±.020 UNLESS OTHERWISE SPECIFIED	

CHANGE LEVEL
N 08-31-04