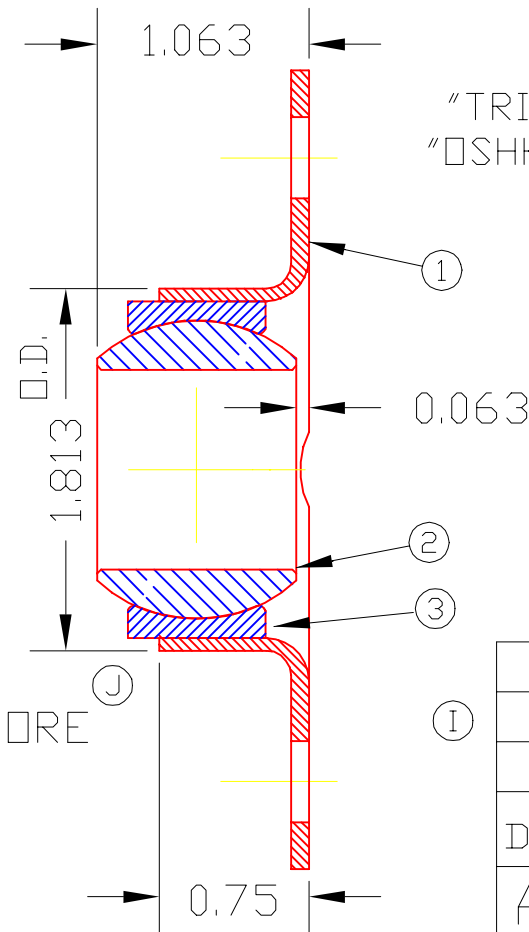
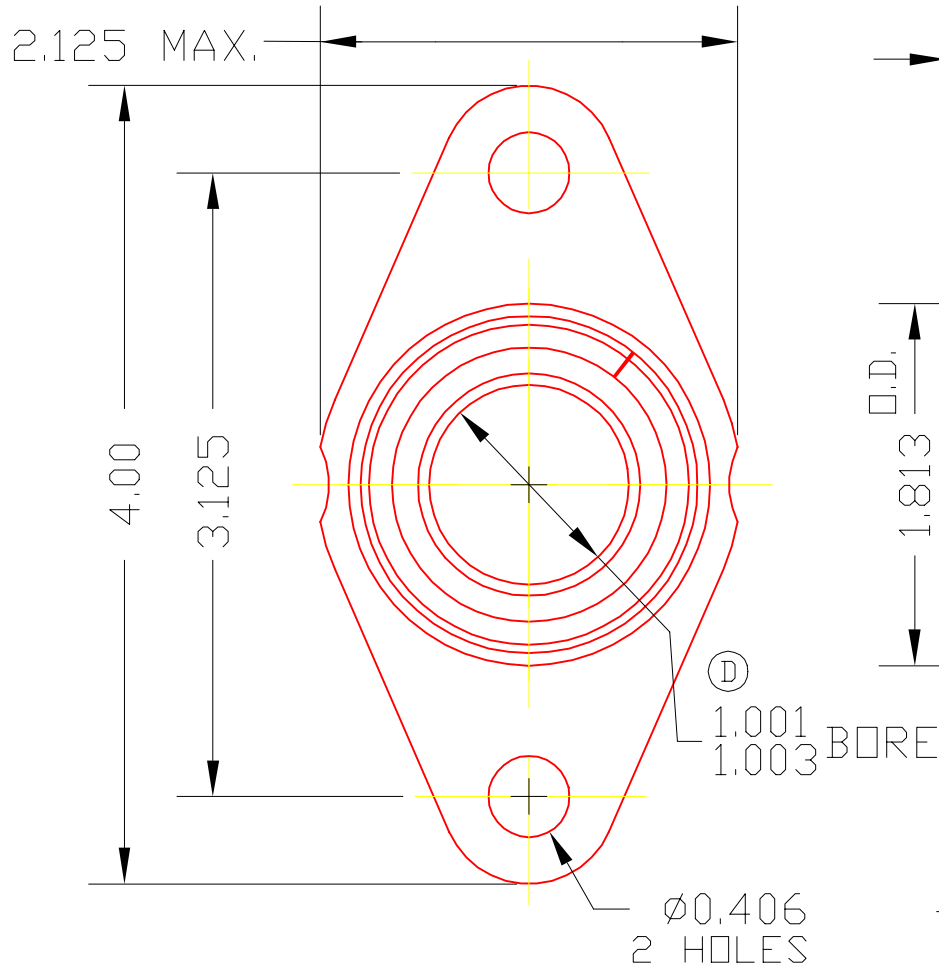


FG4016P



| 3   | 6084        | RING        | 1   |
|-----|-------------|-------------|-----|
| 2   | 4016P       | BALL        | 1   |
| 1   | 4010        | FLANGE      | 1   |
| DET | PART NUMBER | DESCRIPTION | AMT |

△ TRIANGLE MANUFACTURING CO.  
DSHKOSH, WI.

NAME SIDE FLANGE BRG. ASS'Y

USED IN FG SERIES

DATE 2-15-68

PART NO.

DRAWN SP

CHECKED SP

SCALE 1 / 1

FG4016P

200 LBS. MIN. PRESS FIT. ①

CHANGE LEVEL

J 08-30-04

FIT SNUG

PLATING GALV

MATERIAL MILD STL. & SINT. BRONZE

ALL DIMS. ±0.020 UNLESS OTHERWISE SPECIFIED