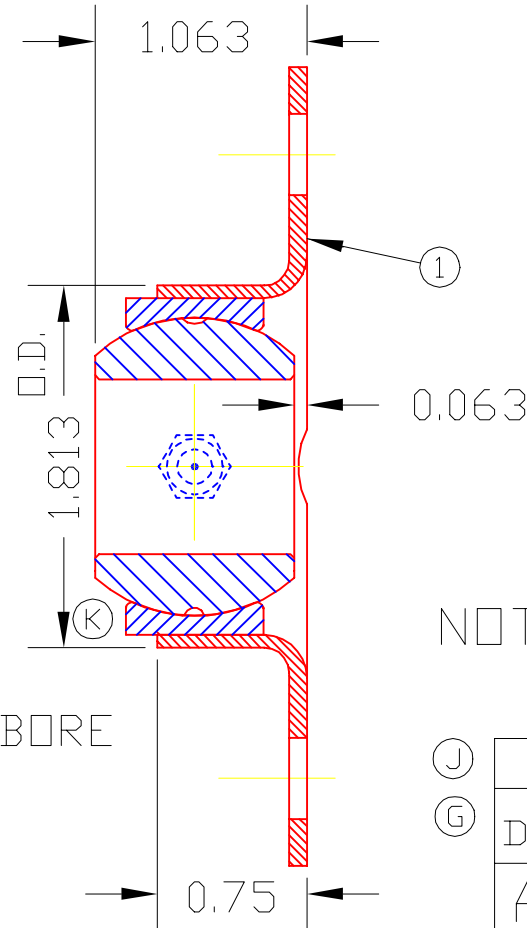
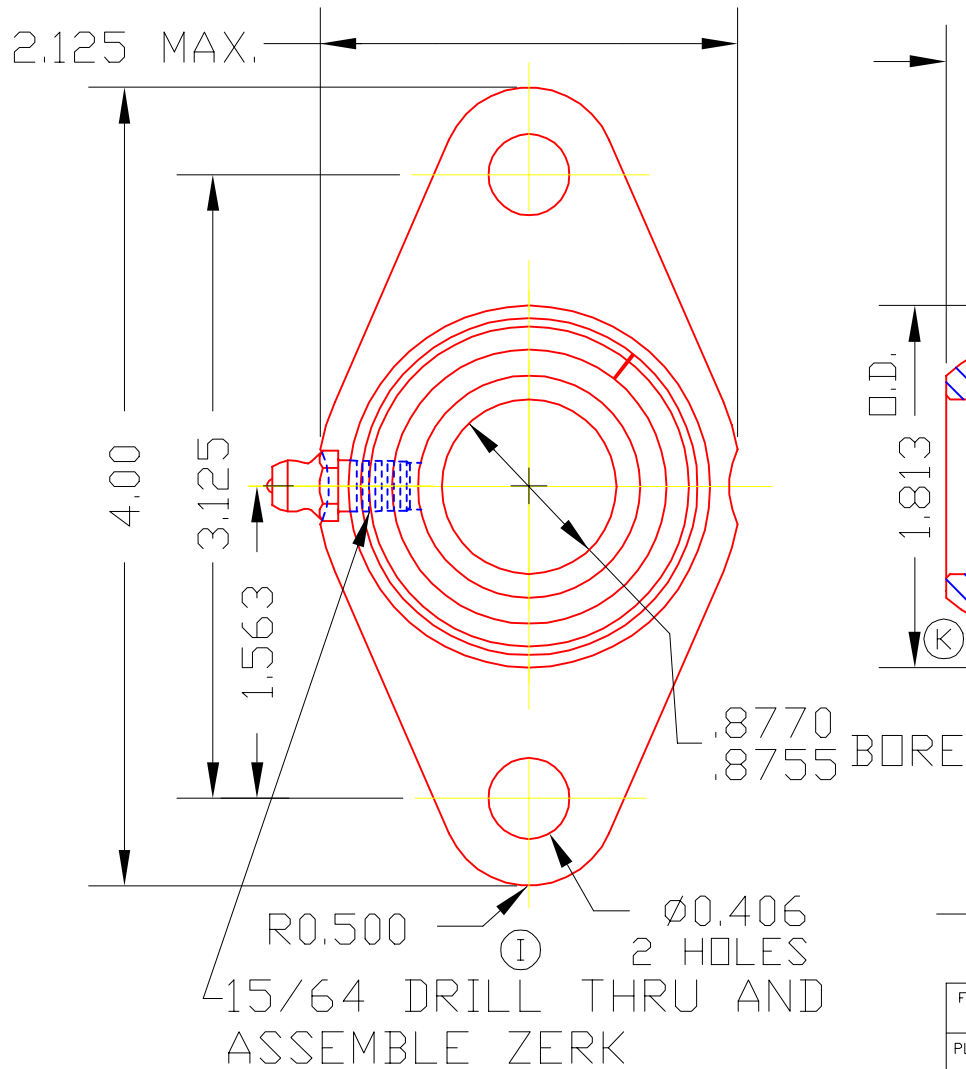


FG4214G



STAMP  
"TRIANGLE"  
"OSHKOSH WIS"

NOTE: GROOVED BALL

15/64 DRILL THRU AND ASSEMBLE ZERK

\* OR #G60 GALV.

(J)	1	FG7426G	FLANGE ASS'Y	1
(G)	DET	PART NUMBER	DESCRIPTION	AMT

▲ TRIANGLE MANUFACTURING CO.  
OSHKOSH, WI.

NAME SIDE FLANGE BRG. ASS'Y

USED IN FG SERIES

DATE 1-17-77

PART NO.

DRAWN SP

CHECKED SP

SCALE 1 / 1

FG4214G

CHANGE LEVEL
K 08-31-04

FIT	SNUG
PLATING	////
MATERIAL	SEE DET.
ALL DIMS. ±.020 UNLESS OTHERWISE SPECIFIED	