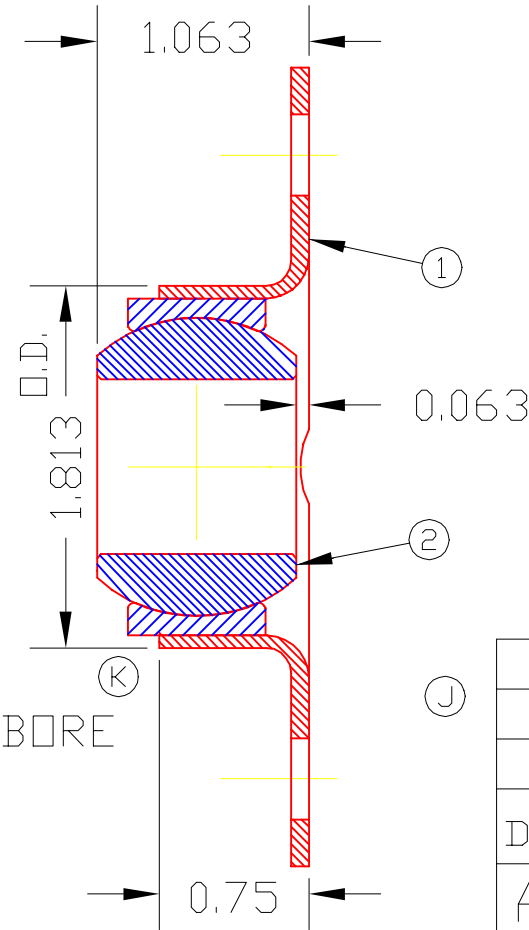
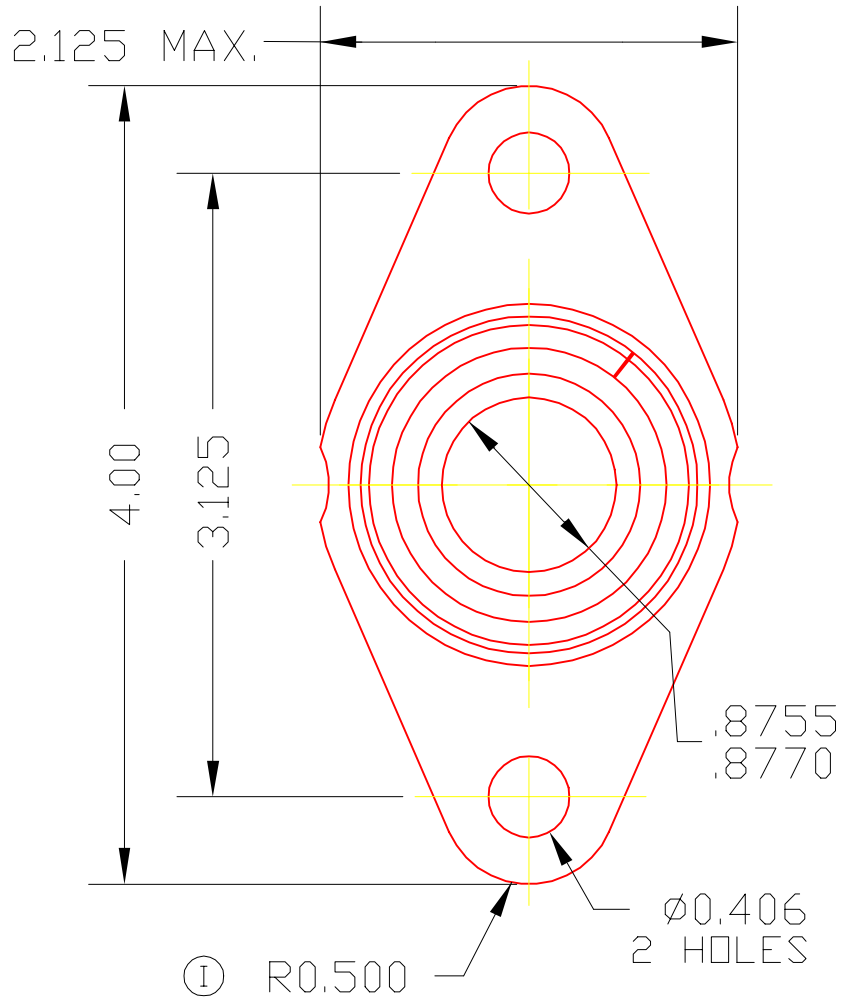


FG4214P



STAMP  
"TRIANGLE"  
"OSHKOSH WIS"

3	6084	RETAINER	1
2	4214P	BALL	1
1	4010	FLANGE	1
DET	PART NUMBER	DESCRIPTION	AMT

△ TRIANGLE MANUFACTURING CO.  
OSHKOSH, WI.

NAME SIDE FLANGE BRG. ASS'Y

USED IN FG SERIES

DATE 4-13-73

PART NO.

DRAWN SP

CHECKED SP

SCALE 1 / 1

FG4214P

200 LBS. MIN. PRESS FIT. ④

CHANGE LEVEL	
K	08-30-04

FIT	SNUG
PLATING	GALV
MATERIAL	MILD STL. & SINT. IRON
ALL DIMS. ±.020 UNLESS OTHERWISE SPECIFIED	