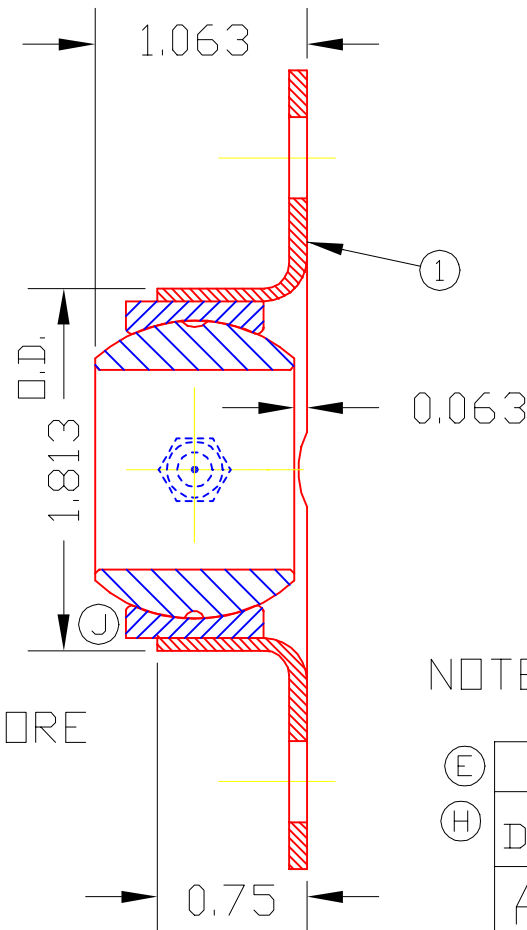
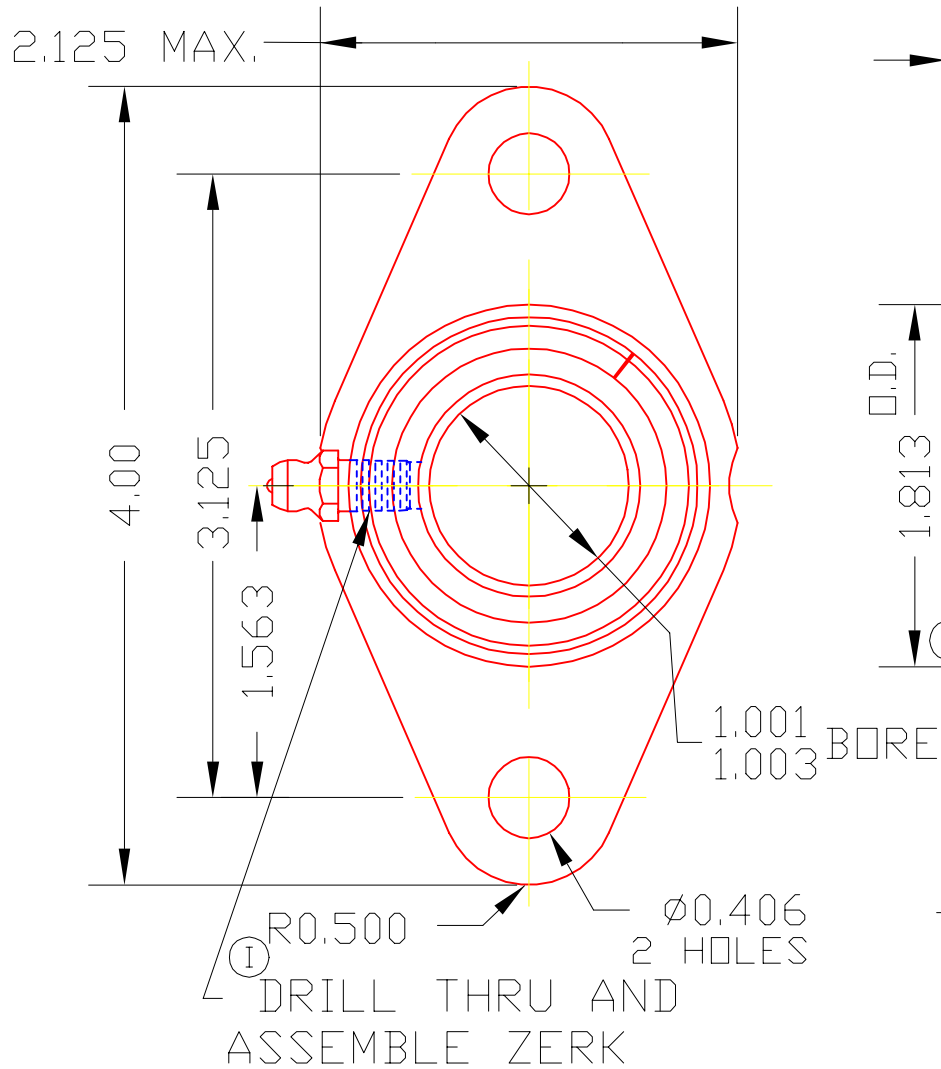


FG4216G



STAMP
"TRIANGLE"
"OSHKOSH WIS"

NOTE: GROOVED BALL

①	1	FG7428G	FLANGE ASS'Y	1
②	DET	PART NUMBER	DESCRIPTION	AMT

△ TRIANGLE MANUFACTURING CO.
OSHKOSH, WI.

NAME SIDE FLANGE BRG. ASS'Y

USED IN FG SERIES

DATE 12-9-75

PART NO.

DRAWN SP

CHECKED SP

SCALE 1 / 1

FG4216G

FIT	SNUG
PLATING	////
MATERIAL	SEE DET.
ALL DIMS. ±.020 UNLESS OTHERWISE SPECIFIED	

CHANGE LEVEL
J 09-01-04