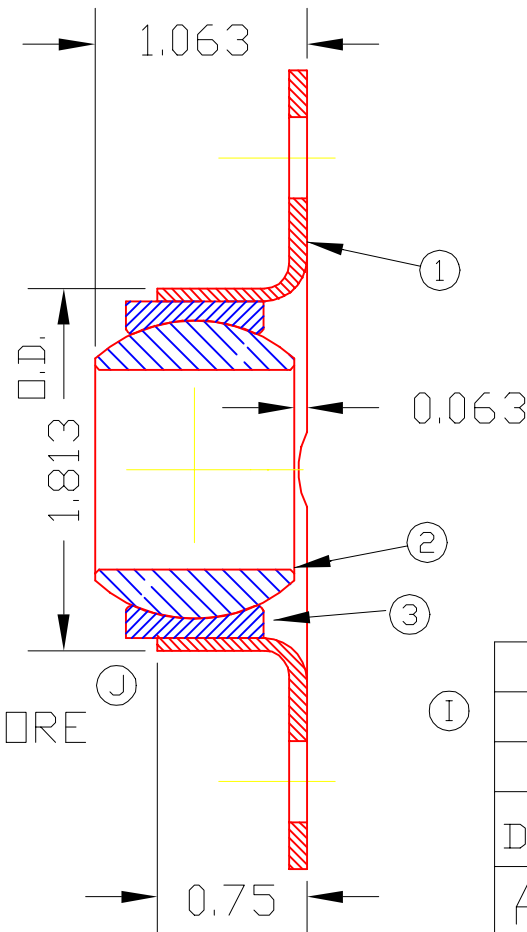
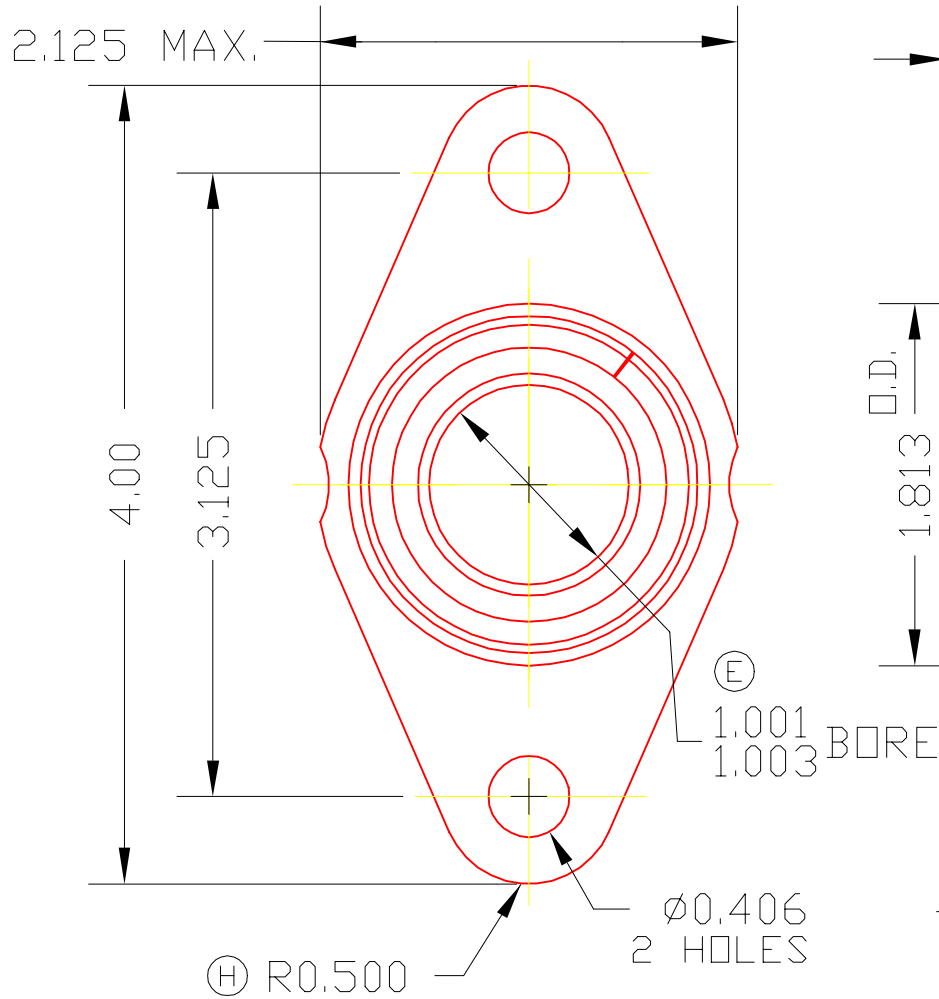


FG4216P



STAMP
"TRIANGLE"
"OSHKOSH WIS"

3	6084	RETAINER	1
2	4216P	BALL	1
1	4010	FLANGE	1
DET	PART NUMBER	DESCRIPTION	AMT

Ⓐ TRIANGLE MANUFACTURING CO.
OSHKOSH, WI.

NAME SIDE FLANGE BRG. ASS'Y

USED IN FG SERIES

DATE 1-21-70

PART NO.

DRAWN SP

CHECKED SP

SCALE 1 / 1

FG4216P

200 LBS. MIN. PRESS FIT. Ⓞ

CHANGE LEVEL
J 08-30-04

FIT	SNUG
PLATING	GALV
MATERIAL	MILD STL. & SINT. IRON
ALL DIMS. ±0.020 UNLESS OTHERWISE SPECIFIED	