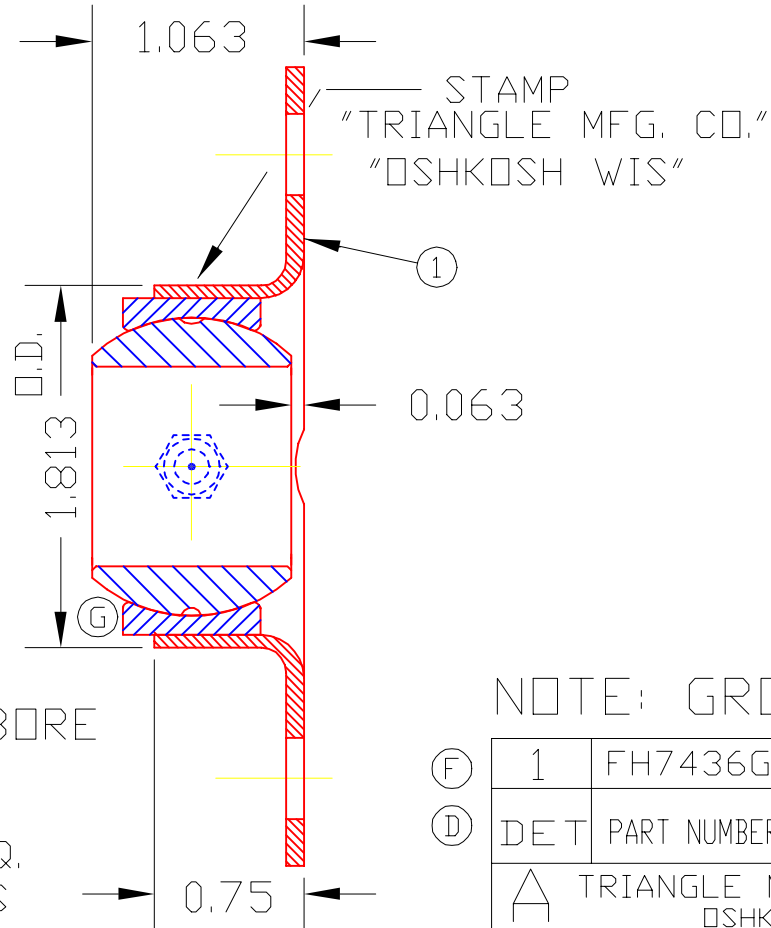
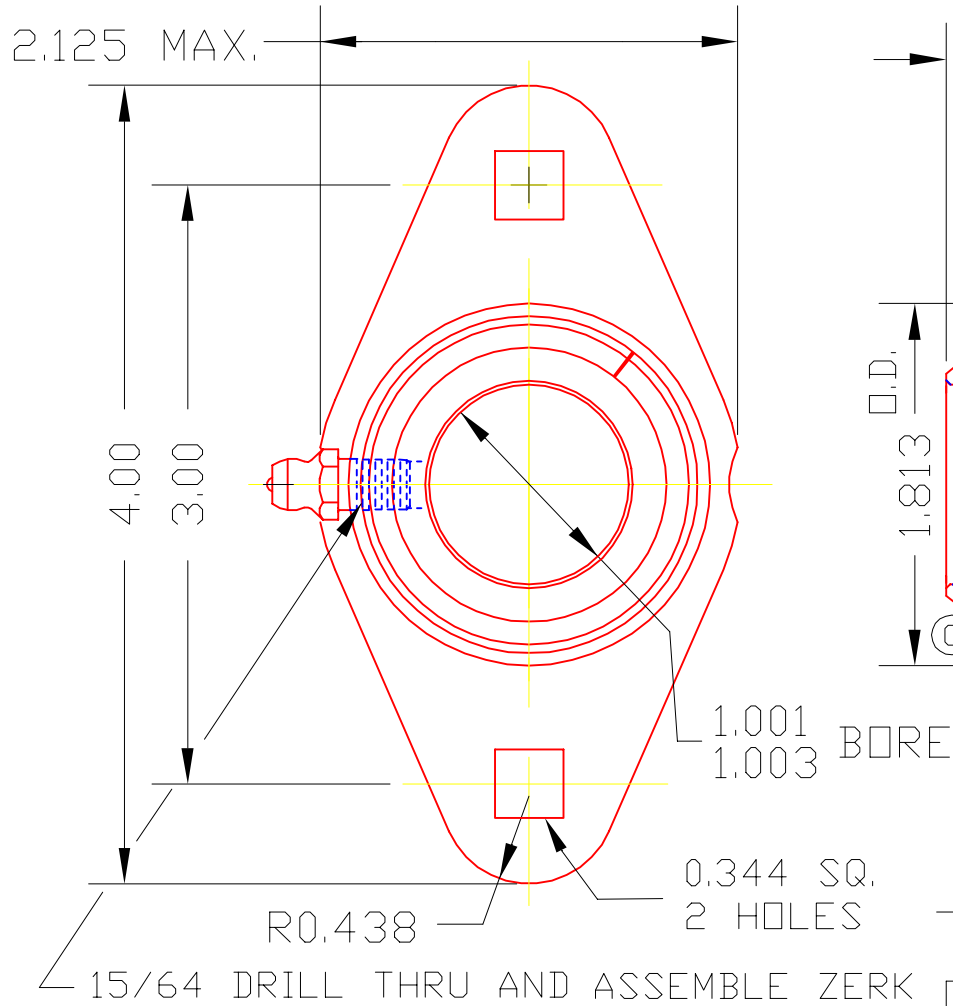


FH4016G



NOTE: GROOVED BALL

| ⑦ | DET | PART NUMBER | DESCRIPTION | AMT |
|---|-----|-------------|--------------|-----|
| 1 | | FH7436G | FLANGE ASS'Y | 1 |

⑧ TRIANGLE MANUFACTURING CO.
OSHKOSH, WI.

NAME SIDE FLANGE BRG. ASS'Y

USED IN FH SERIES

DATE 3-1-78 PART NO.

DRAWN SP

CHECKED SP

SCALE 1 / 1

FH4016G

| | |
|-----------|----------------------------------|
| FIT | SNUG |
| PLATING | ELECTRO-ZINC |
| MATERIAL | C.R.S. & SINTERED BRONZE |
| ALL DIMS. | ±.020 UNLESS OTHERWISE SPECIFIED |

| CHANGE LEVEL | |
|--------------|----------|
| G | 09-01-04 |