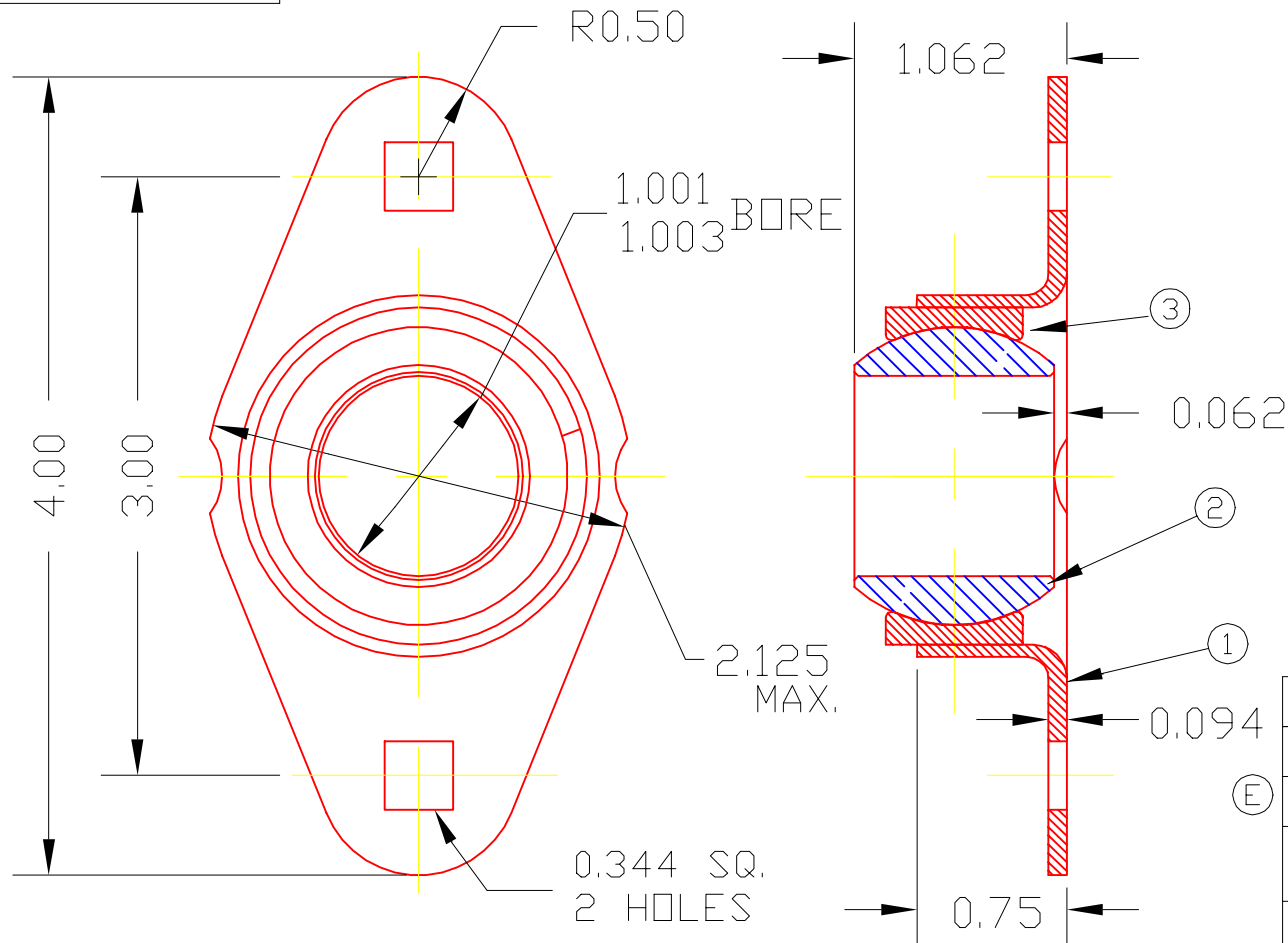


FH4016P



STAMP
"TRIANGLE MFG. CO."
"OSHKOSH WIS."

| | | | |
|---|-------|--------|---|
| 3 | 6084 | RING | 1 |
| 2 | 4016P | BALL | 1 |
| 1 | 4381 | FLANGE | 1 |

| DET | PART NUMBER | DESCRIPTION | AMT |
|-----|-------------|-------------|-----|
|-----|-------------|-------------|-----|

△ TRIANGLE MANUFACTURING CO.
OSHKOSH, WI.

NAME SIDE FLANGE BRG. ASS'Y

| | | |
|---------|---------|-------------------------|
| USED IN | | PART NO. FH4016P |
| DATE | 4-13-73 | |
| DRAWN | SP | |
| CHECKED | SP | |
| SCALE | | 1 / 1 |

| | |
|--|--------------------------|
| FIT | SNUG |
| PLATING | //// |
| MATERIAL | MILD STL. & SINT. BRONZE |
| ALL DIMS. ±.020 UNLESS OTHERWISE SPECIFIED | |

200 LBS. MIN. PRESS FIT. (D)

| | |
|--------------|----------|
| CHANGE LEVEL | |
| E | 05-17-02 |