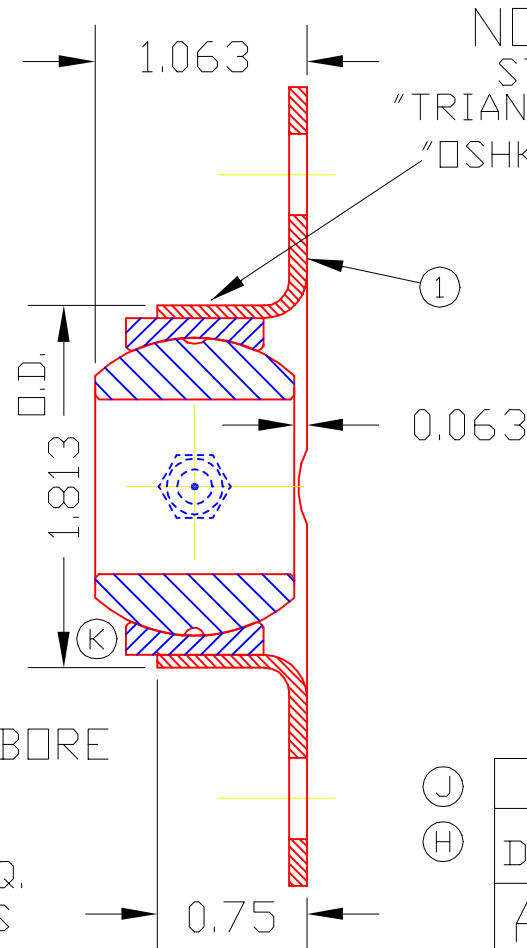
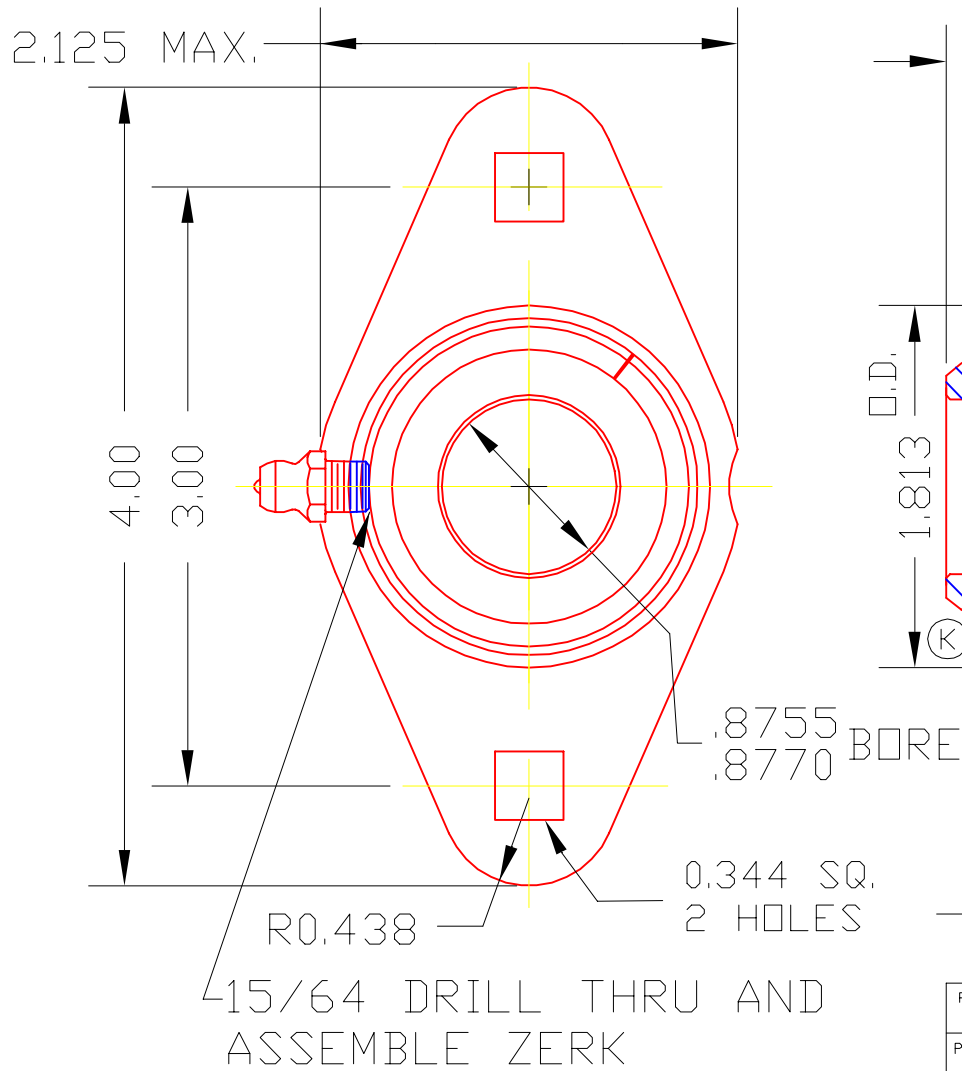


FH4214G



NOTE: GROOVED BALL
STAMP
"TRIANGLE MFG. CO."
"OSHKOSH WIS"

(J)

(H)

| | | | |
|---|---------|--------------|---|
| 1 | FH7438G | FLANGE ASS'Y | 1 |
|---|---------|--------------|---|

| DET | PART NUMBER | DESCRIPTION | AMT |
|-----|-------------|-------------|-----|
| | | | |

△ TRIANGLE MANUFACTURING CO.
OSHKOSH, WI.

NAME SIDE FLANGE BRG. ASS'Y

USED IN FH SERIES

DATE 9-24-75 PART NO.

DRAWN BW-88

CHECKED SP

SCALE 1 / 1

FH4214G

CHANGE LEVEL

K 09-01-04

FIT SNUG

PLATING ELECTRO-ZINC

MATERIAL C.R.S. & SINTERED IRON

ALL DIMS. ±.020 UNLESS OTHERWISE SPECIFIED