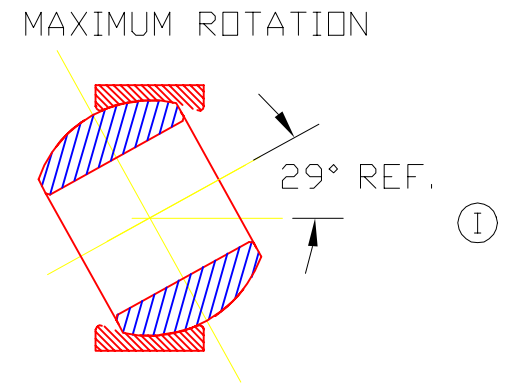
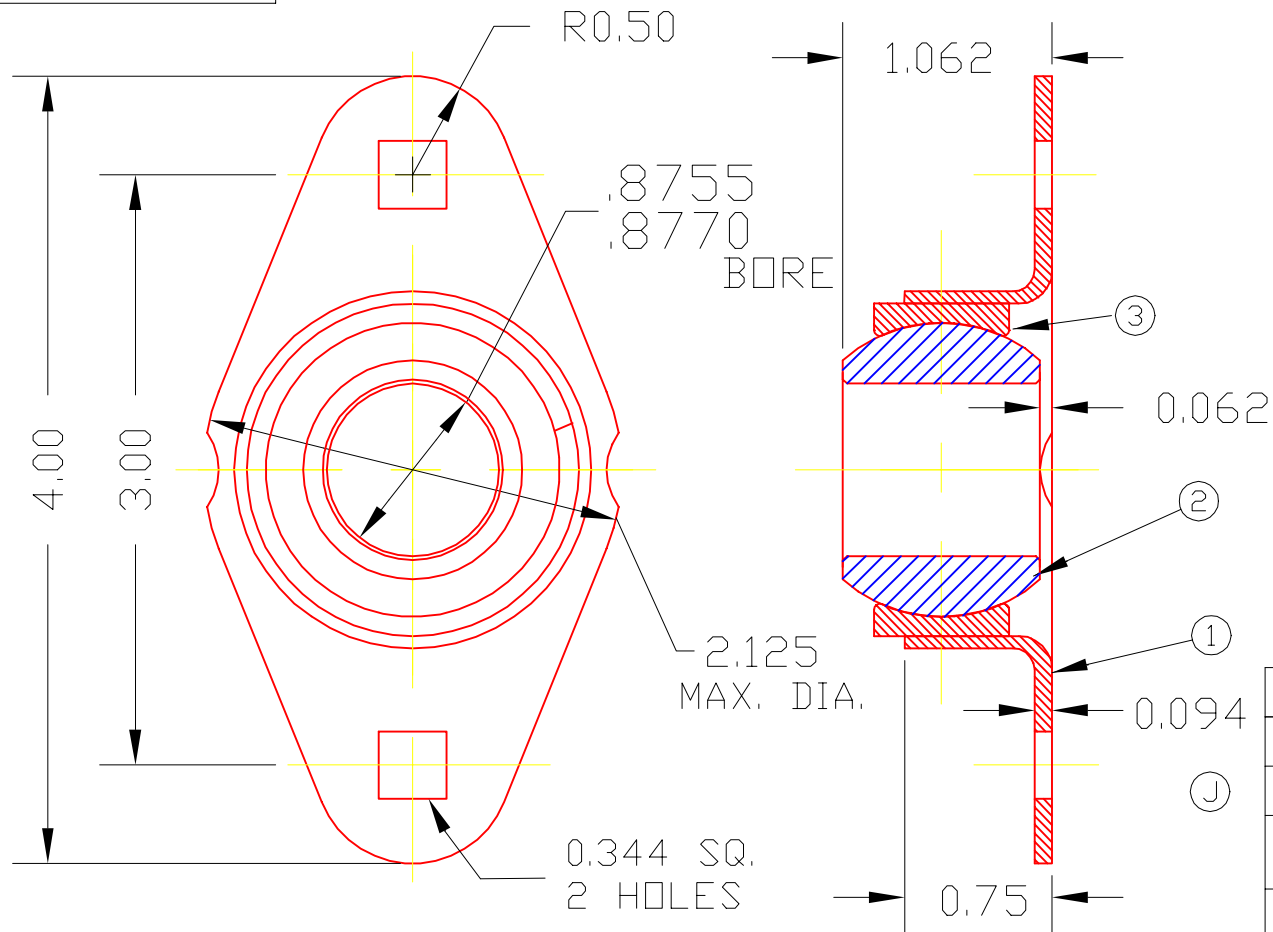


FH4214P



STAMP
"TRIANGLE MFG. CO."
"OSHKOSH WIS."

3	6084	RING	1
2	4214P	BALL	1
1	4381	FLANGE	1
DET	PART NUMBER	DESCRIPTION	AMT

△ TRIANGLE MANUFACTURING CO.
OSHKOSH, WI.

NAME SIDE FLANGE BRG. ASS'Y

USED IN

DATE 9-15-72

PART NO.

DRAWN BW-88

CHECKED SP

SCALE 1 / 1

FH4214P

200 LBS. MIN. PRESS FIT. (H)

CHANGE LEVEL

J 05-28-02

FIT	SNUG
PLATING	ELECTRO-ZINC
MATERIAL	C.R.S. & SINTERED IRON
ALL DIMS. ±.020 UNLESS OTHERWISE SPECIFIED	