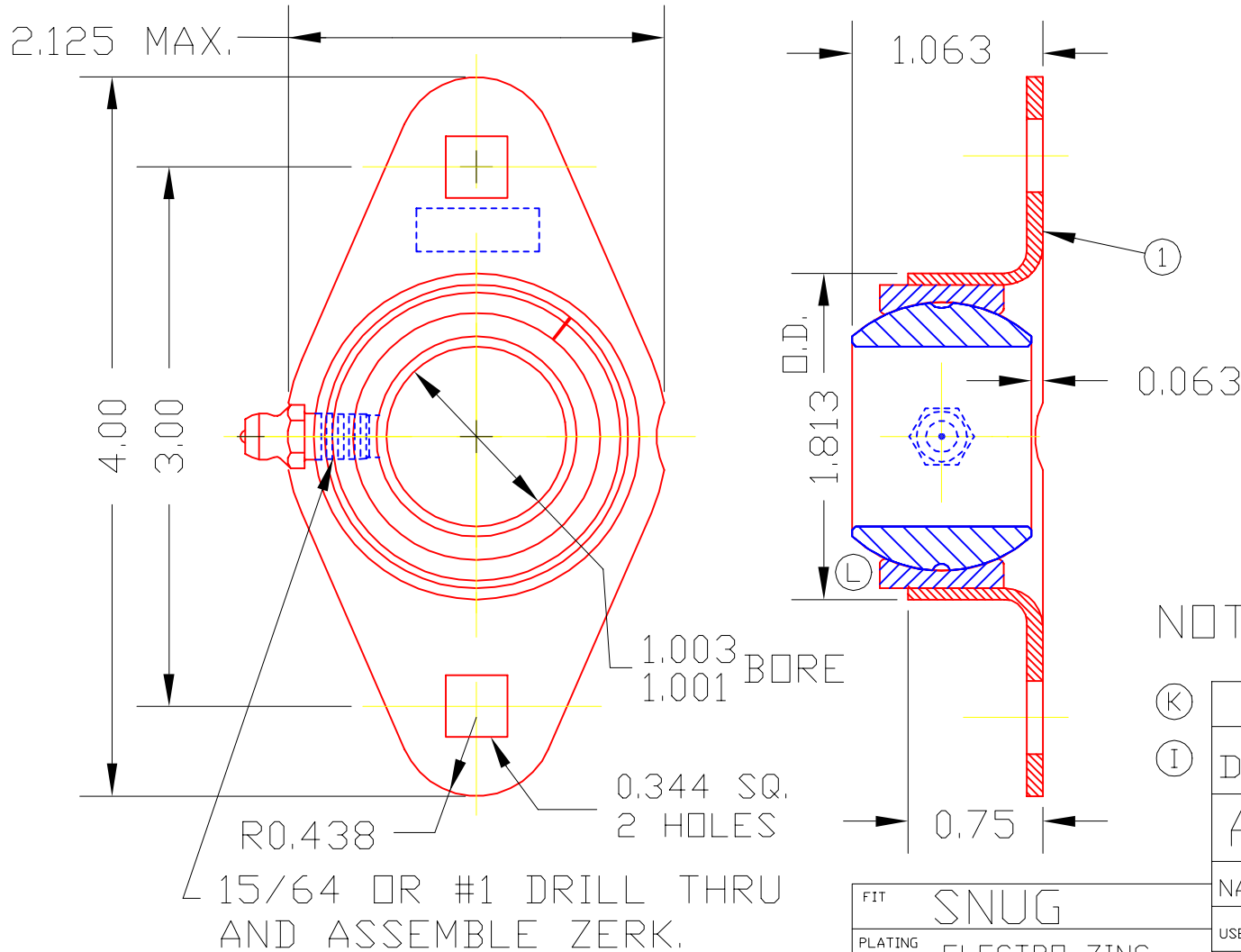


FH4216G



STAMP
"TRIANGLE MFG. CO."
"OSHKOSH WIS"

NOTE: GROOVED BALL

(K)	1	FH7440G	FLANGE ASS'Y	1
(I)	DET	PART NUMBER	DESCRIPTION	AMT

△ TRIANGLE MANUFACTURING CO.
OSHKOSH, WI.

NAME SIDE FLANGE BRG. ASS'Y

USED IN FH SERIES

DATE 7-24-72 PART NO.

DRAWN BW-88

CHECKED SP

SCALE 1 / 1

FH4216G

FIT	SNUG
PLATING	ELECTRO-ZINC
MATERIAL	C.R.S. & SINTERED IRON
ALL DIMS. ±.020 UNLESS OTHERWISE SPECIFIED	

THE SIZE OF THE DRILL
DEPENDS ON HOW TIGHT
THE ZERK FITS.

CHANGE LEVEL	
L	09-01-04