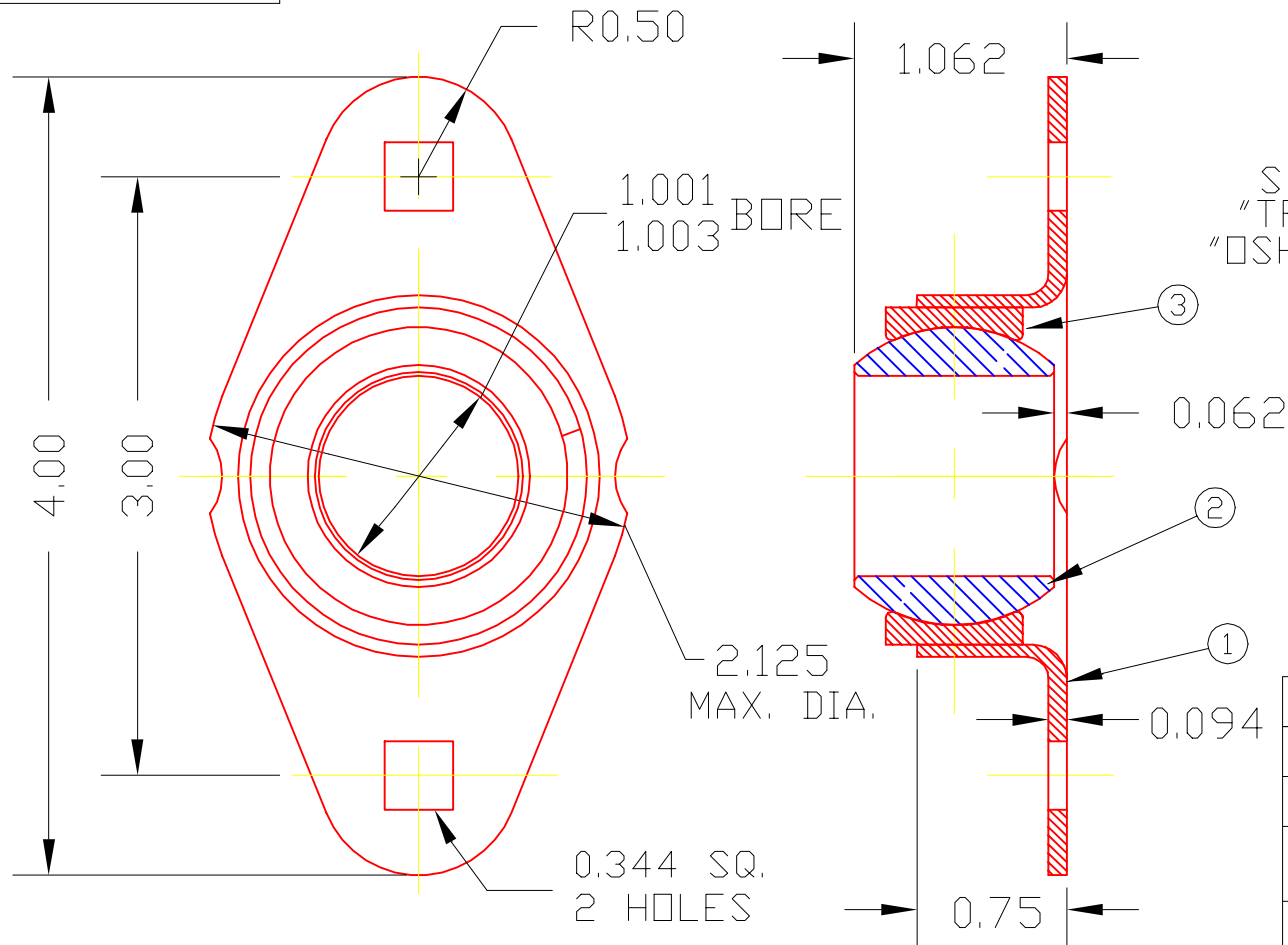


FH4216P



STAMP
"TRIANGLE"
"OSHKOSH WIS."

(E)			
DET	PART NUMBER	DESCRIPTION	AMT
3	6084	RING	1
2	4216P	BALL	1
1	4381	FLANGE	1

▲ TRIANGLE MANUFACTURING CO.
OSHKOSH, WI.

NAME SIDE FLANGE BRG. ASS'Y

FIT	SNUG
PLATING	GALV.
MATERIAL	MILD STL. & SINT. IRON
ALL DIMS. ±.020 UNLESS OTHERWISE SPECIFIED	

USED IN		FH4216P
DATE	9-15-72	
DRAWN	BW-88	
CHECKED	SP	
SCALE 1 / 1		

200 LBS. MIN. PRESS FIT. (D)

CHANGE LEVEL	
F	09-25-06