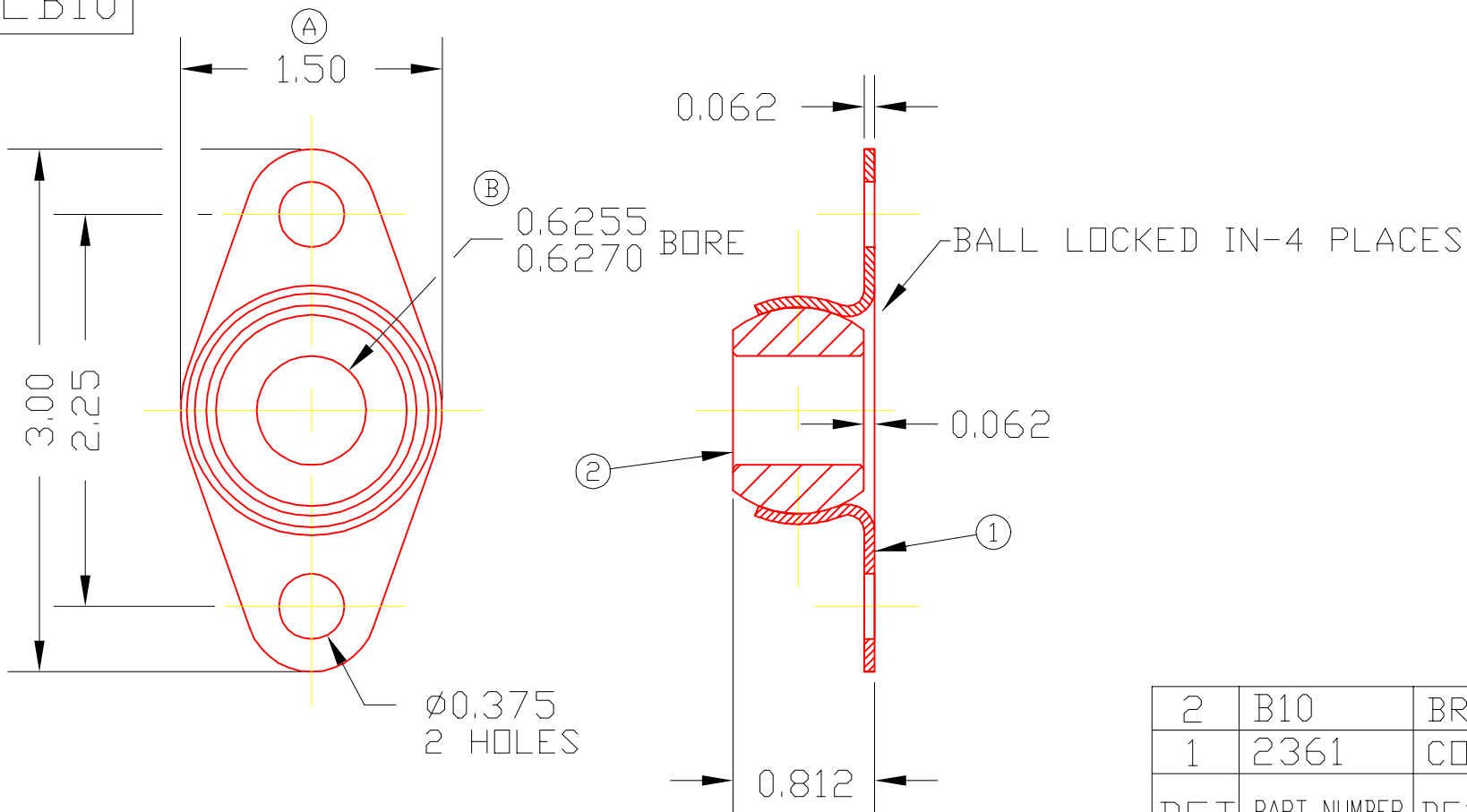


FLB10



2	B10	BRG. BALL	1
1	2361	CONTAINER	1
DET	PART NUMBER	DESCRIPTION	AMT

▲ TRIANGLE MANUFACTURING CO.
OSHKOSH, WI.

NAME FLANGE PILLOW BLOCK

USED IN FL-SERIES

DATE 4-15-64 PART NO.

DRAWN LML

CHECKED SP

SCALE 1 / 1

FLB10

FIT LIGHT DRAG - SNUG

PLATING GALV

MATERIAL SEE DETAILS

ALL DIMS. ± 0.020 UNLESS OTHERWISE SPECIFIED

CHANGE LEVEL

C 05-04-94