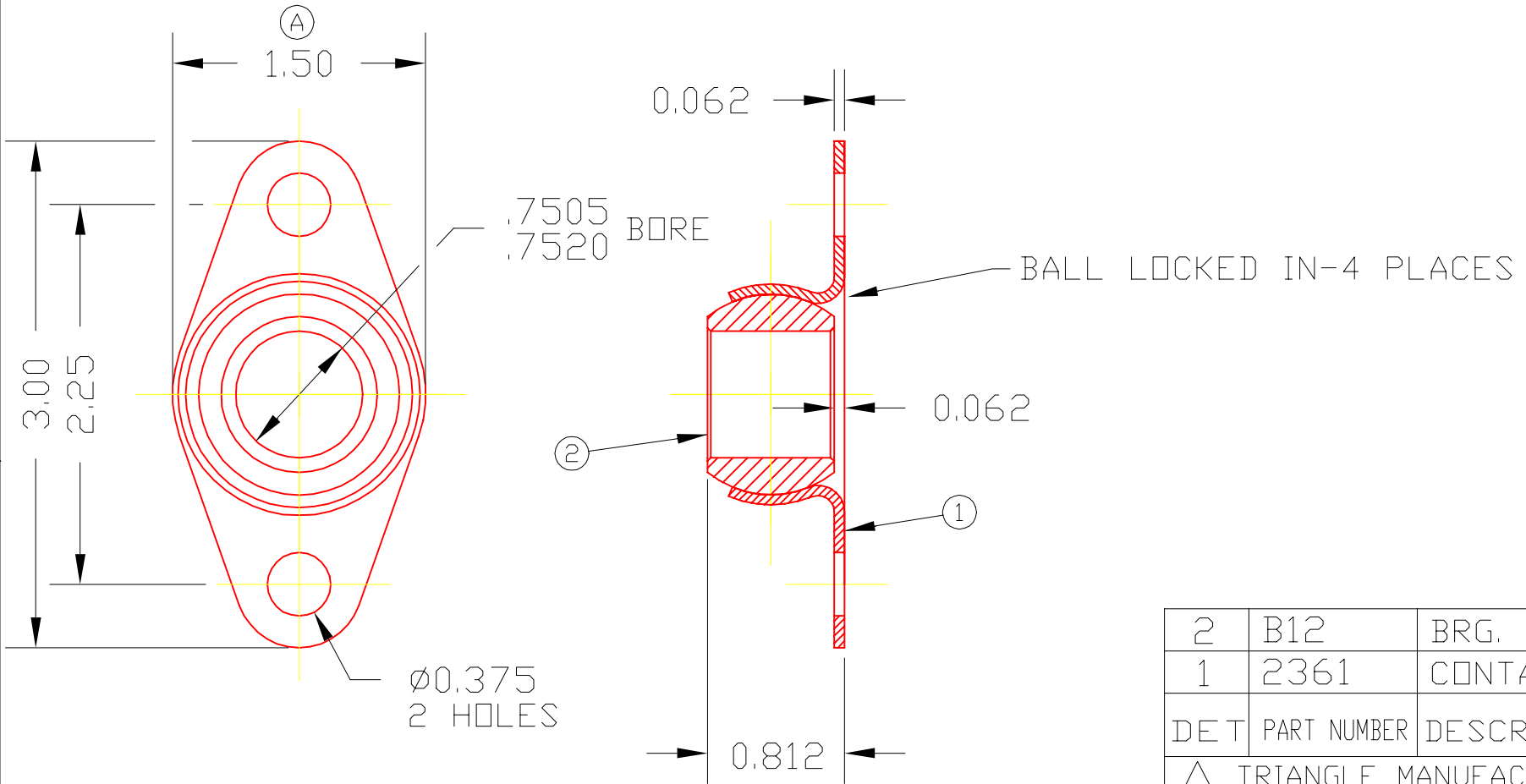


FLB12



2	B12	BRG. BALL	1
1	2361	CONTAINER	1
DET	PART NUMBER	DESCRIPTION	AMT

A TRIANGLE MANUFACTURING CO.  
OSHKOSH, WI.

NAME FLANGE PILLOW BLOCK

USED IN FL-SERIES

DATE	3-12-64	PART NO.	FLB12
DRAWN	SP		
CHECKED	SP		
SCALE	1 / 1		

FIT	////
PLATING	GALV
MATERIAL	SEE DETAILS
ALL DIMS. $\pm 0.020$ UNLESS OTHERWISE SPECIFIED	

CHANGE LEVEL
B 12-20-89