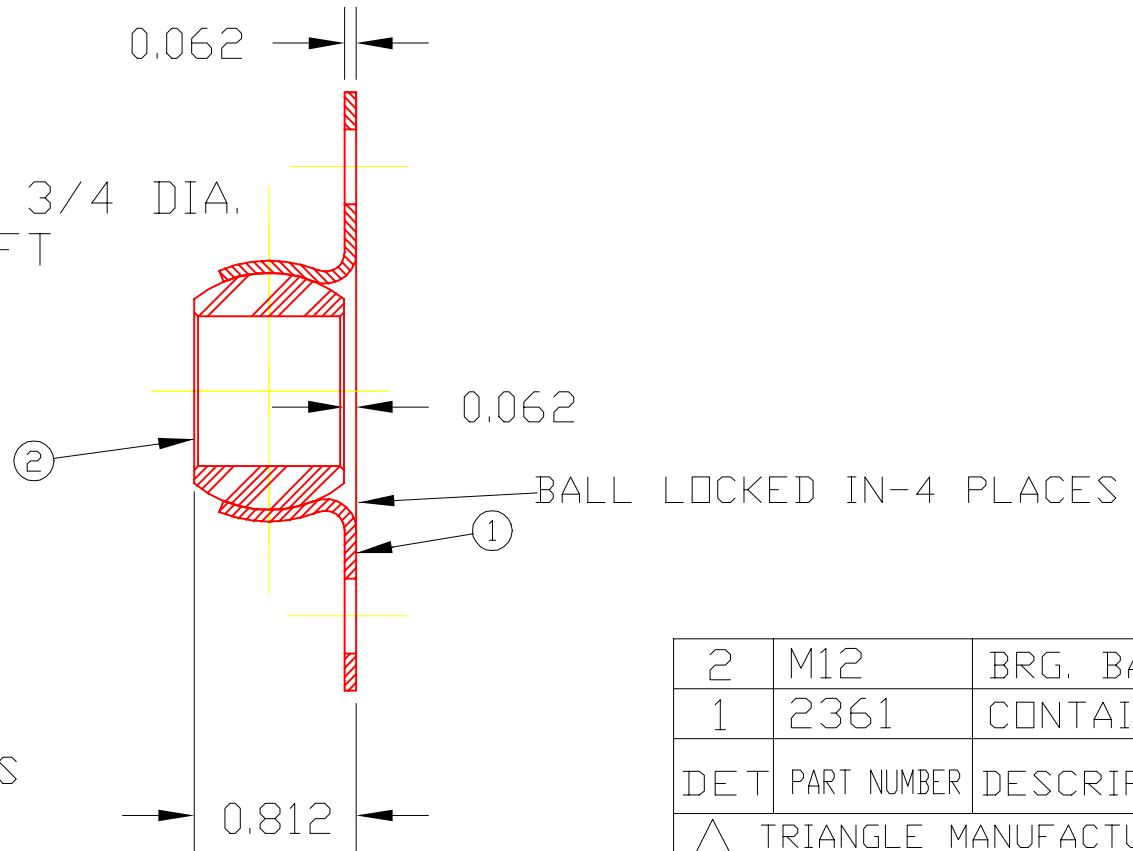
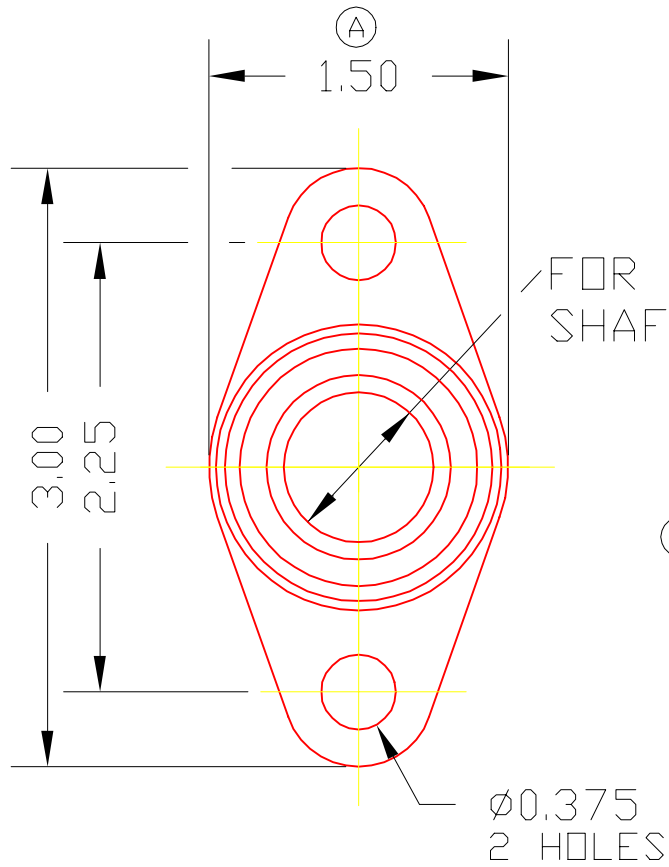


FLM12



2	M12	BRG. BALL	1
1	2361	CONTAINER	1
DET	PART NUMBER	DESCRIPTION	AMT

A TRIANGLE MANUFACTURING CO.
OSHKOSH, WI.

NAME FLANGE PILLOW BLOCK

USED IN FL-SERIES

DATE 3-2-65

PART NO.

DRAWN SP

CHECKED SP

SCALE 1 / 1

FLM12

FIT	////
PLATING	GALV
MATERIAL	SEE DETAILS
ALL DIMS. ± 0.020 UNLESS OTHERWISE SPECIFIED	

CHANGE LEVEL
F 07-10-95