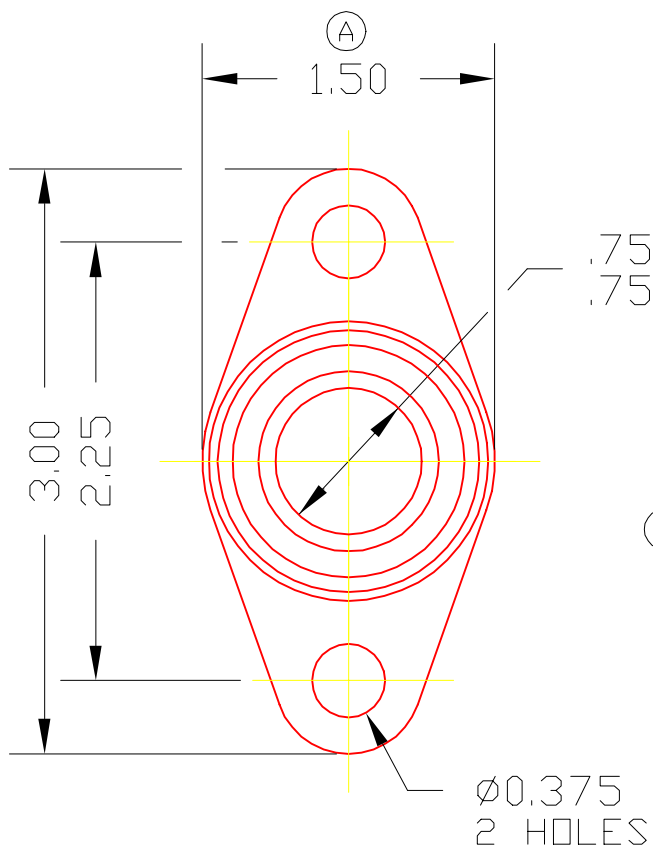
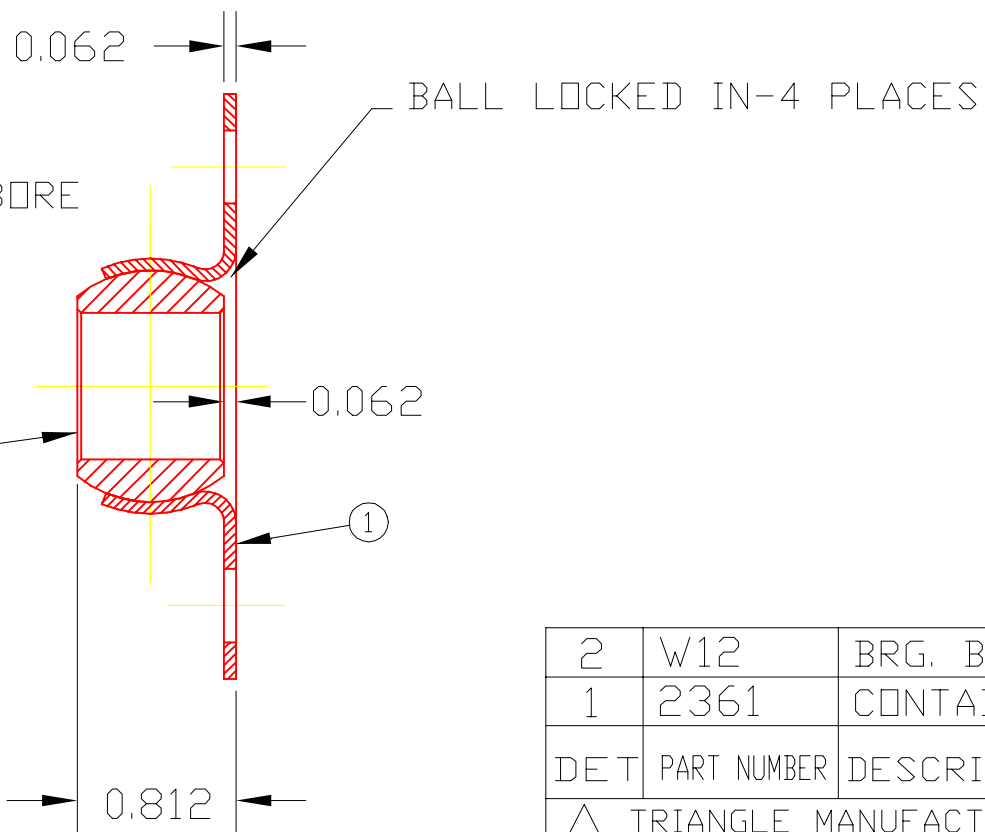


FLW12



.7505
.7520 BORE



2	W12	BRG. BALL	1
1	2361	CONTAINER	1
DET	PART NUMBER	DESCRIPTION	AMT

△ TRIANGLE MANUFACTURING CO.
OSHKOSH, WI.

NAME FLANGE PILLOW BLOCK

USED IN FL-SERIES

DATE 11-15-63

PART NO.

DRAWN SP

CHECKED SP

SCALE 1 / 1

FLW12

©

FIT	DRAG-SNUG
PLATING	GALV
MATERIAL	SEE DETAILS
ALL DIMS. ±.020 UNLESS OTHERWISE SPECIFIED	

CHANGE LEVEL
C 04-11-01