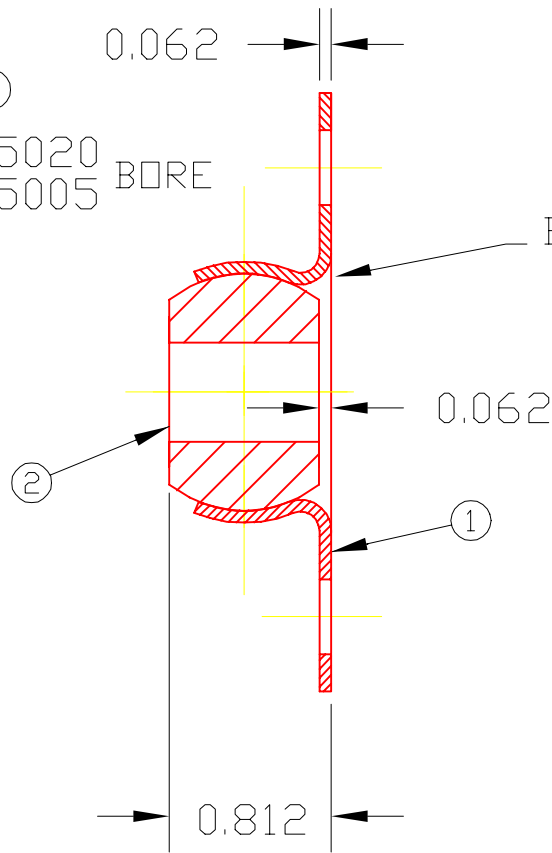
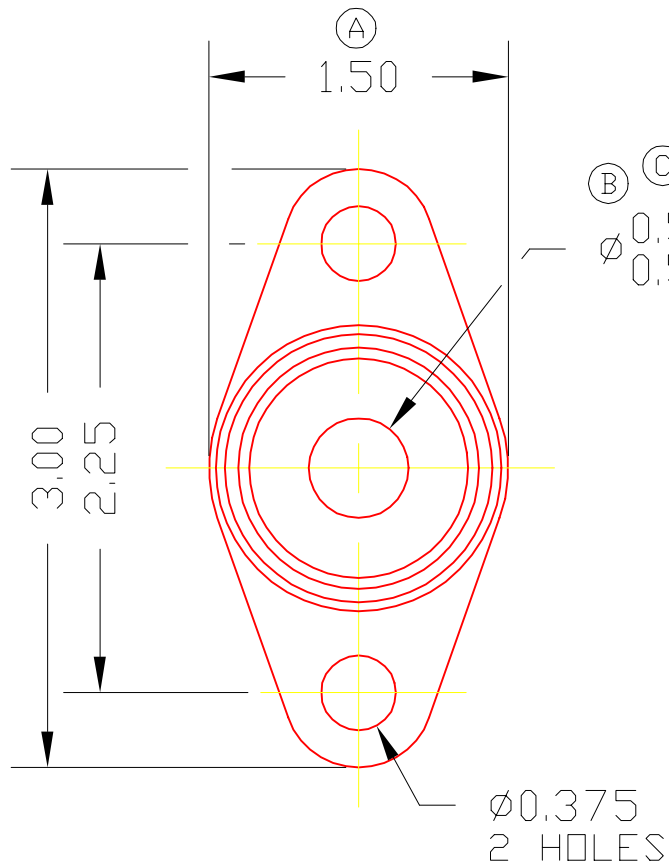


FLW8



2	W8	BRG. BALL	1
1	2361	CONTAINER	1
DET	PART NUMBER	DESCRIPTION	AMT

A TRIANGLE MANUFACTURING CO.
OSHKOSH, WI.

NAME FLANGE PILLOW BLOCK

USED IN FL-SERIES

DATE 12-8-71 PART NO.

DRAWN SP

CHECKED SP

SCALE 1 / 1

FLW8

FIT	////
PLATING	GALV
MATERIAL	SEE DETAILS
ALL DIMS. ± 0.020 UNLESS OTHERWISE SPECIFIED	

CHANGE LEVEL	
E	04-29-02