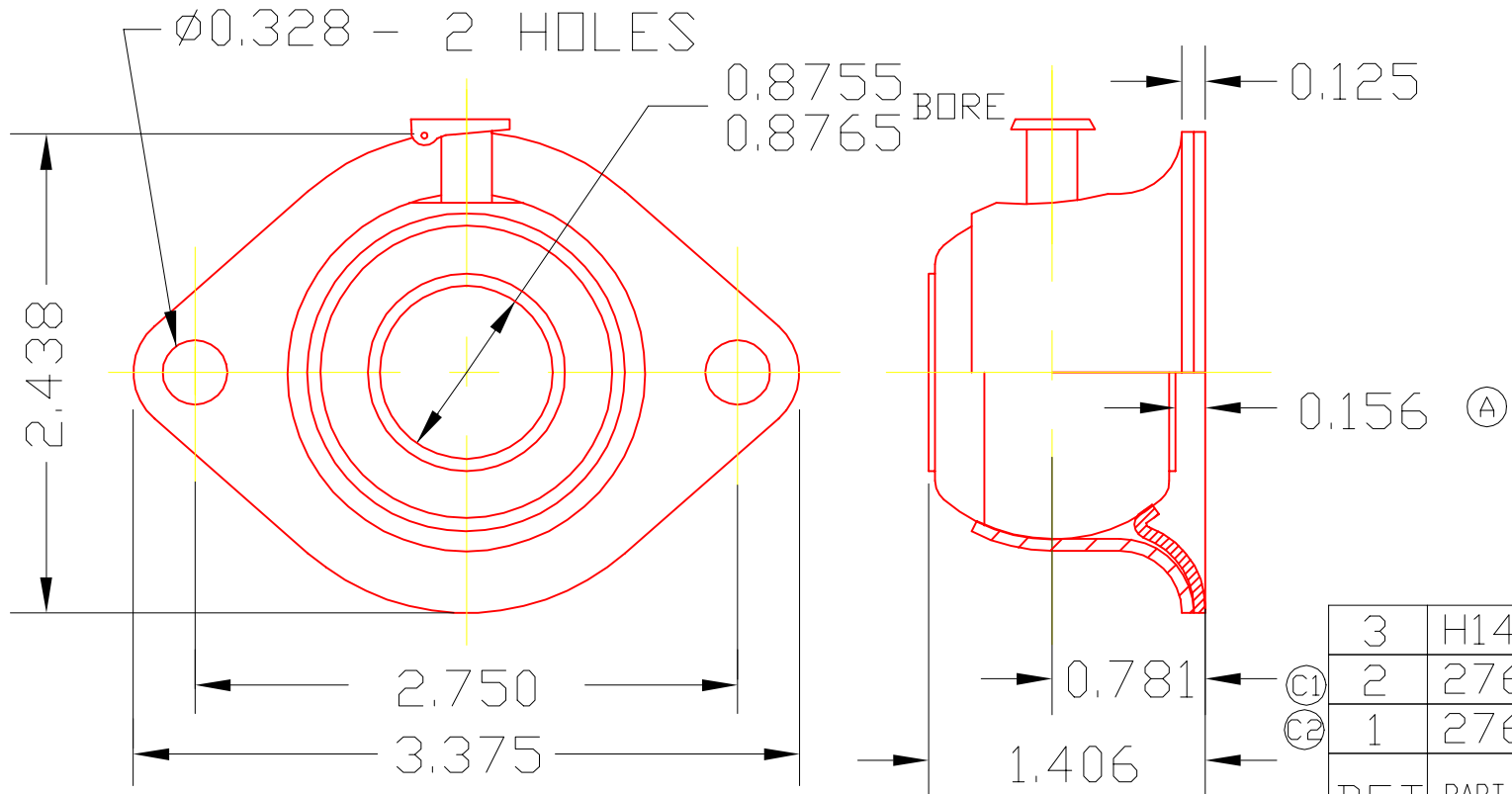


FAH14A



3	H14A	BRG. BALL	1
2	2763	BACK PLATE	1
1	2762	CONTAINER	1
DET	PART NUMBER	DESCRIPTION	AMT

△ TRIANGLE MANUFACTURING CO.
OSHKOSH, WI.

NAME		SIDE FLANGE BRG. ASS'Y	
USED IN		FA SERIES	
DATE	5-17-61	PART NO. FAH14A	
DRAWN	BW-88		
CHECKED	SP		
SCALE		1 / 1	

LUB	OIL T.M.C. #L-1
PLATING	GALV
MATERIAL	SEE DETAIL
ALL DIMS. ±.020 UNLESS OTHERWISE SPECIFIED	

CHANGE LEVEL	
C	3-19-74