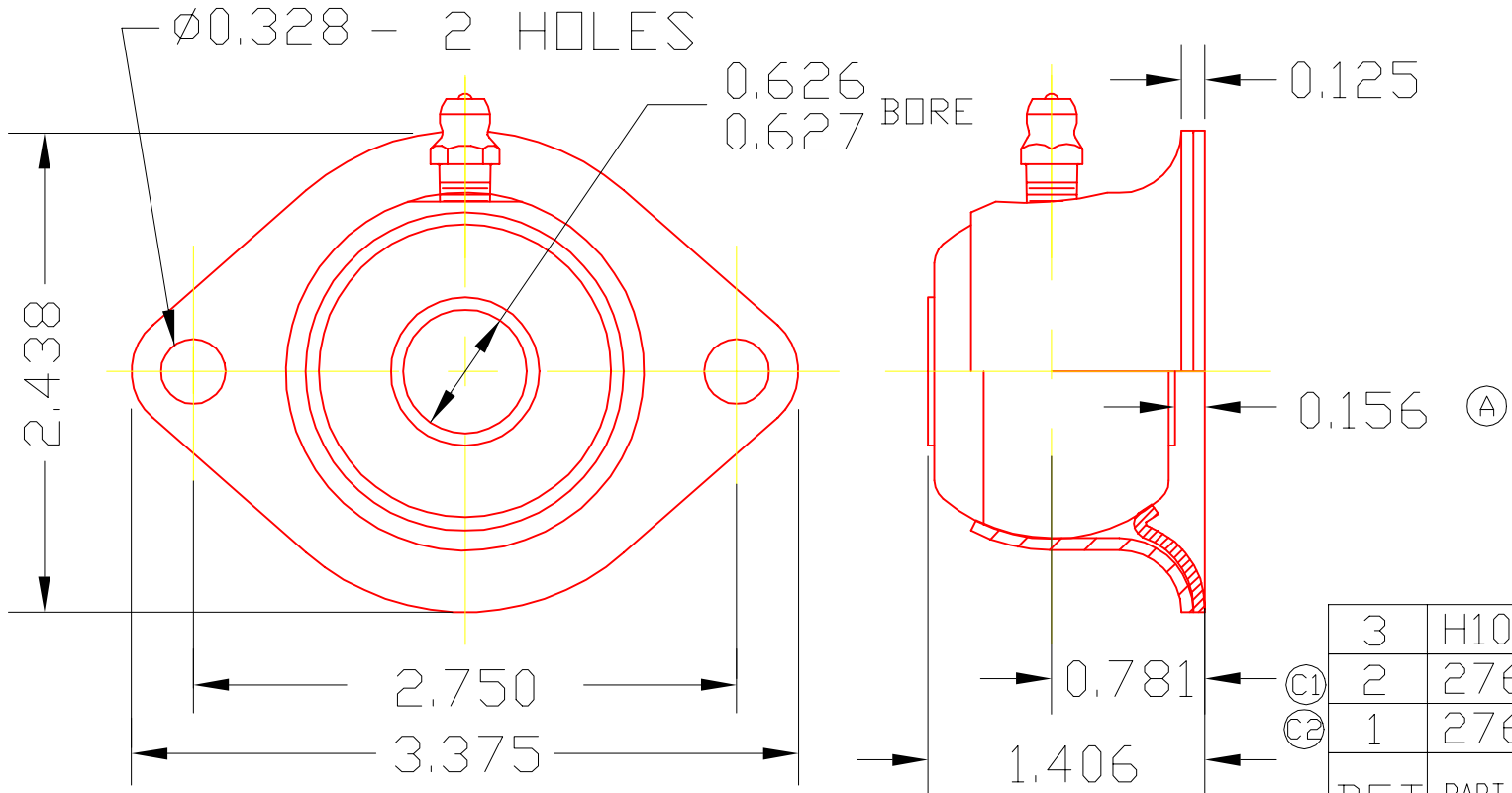


FAH10G



| | | | |
|---|------|------------|---|
| 3 | H10G | BRG. BALL | 1 |
| 2 | 2763 | BACK PLATE | 1 |
| 1 | 2762 | CONTAINER | 1 |

| DET | PART NUMBER | DESCRIPTION | AMT |
|-----|-------------|-------------|-----|
|-----|-------------|-------------|-----|

△ TRIANGLE MANUFACTURING CO.
OSHKOSH, WI.

NAME SIDE FLANGE BRG. ASS'Y

USED IN FA SERIES

DATE 5-11-61 PART NO.

DRAWN BW-88

CHECKED SP

SCALE 1 / 1

FAH10G

| | |
|--|------------|
| LUB | NONE |
| PLATING | GALV |
| MATERIAL | SEE DETAIL |
| ALL DIMS. ±.020 UNLESS OTHERWISE SPECIFIED | |

| |
|--------------|
| CHANGE LEVEL |
| C 3-19-74 |