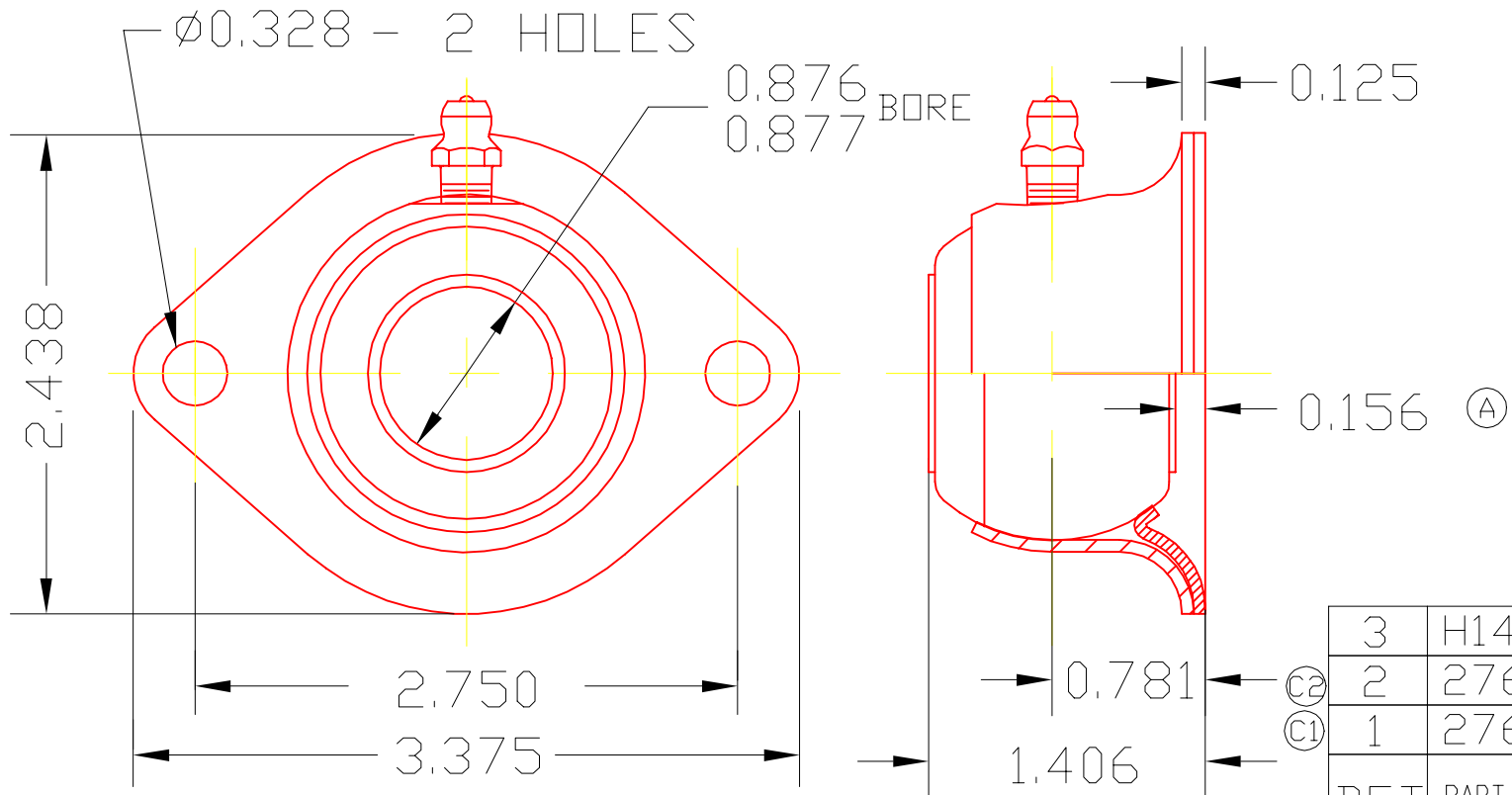


FAH14G



3	H14G	BRG. BALL	1
2	2763	BACK PLATE	1
1	2762	CONTAINER	1
DET	PART NUMBER	DESCRIPTION	AMT

(A) TRIANGLE MANUFACTURING CO.
OSHKOSH, WI.

NAME SIDE FLANGE BRG. ASS'Y

USED IN FA SERIES

DATE 5-16-61

PART NO.

DRAWN BW-88

CHECKED SP

SCALE 1 / 1

FAH14G

LUB	NONE
PLATING	GALV
MATERIAL	SEE DETAIL
ALL DIMS. ± 0.020 UNLESS OTHERWISE SPECIFIED	

CHANGE LEVEL	
C	3-19-74