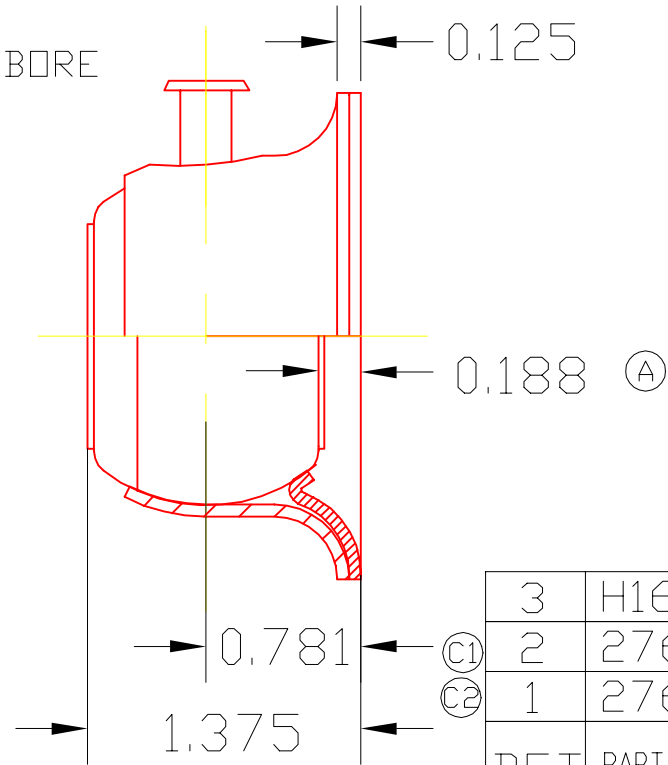
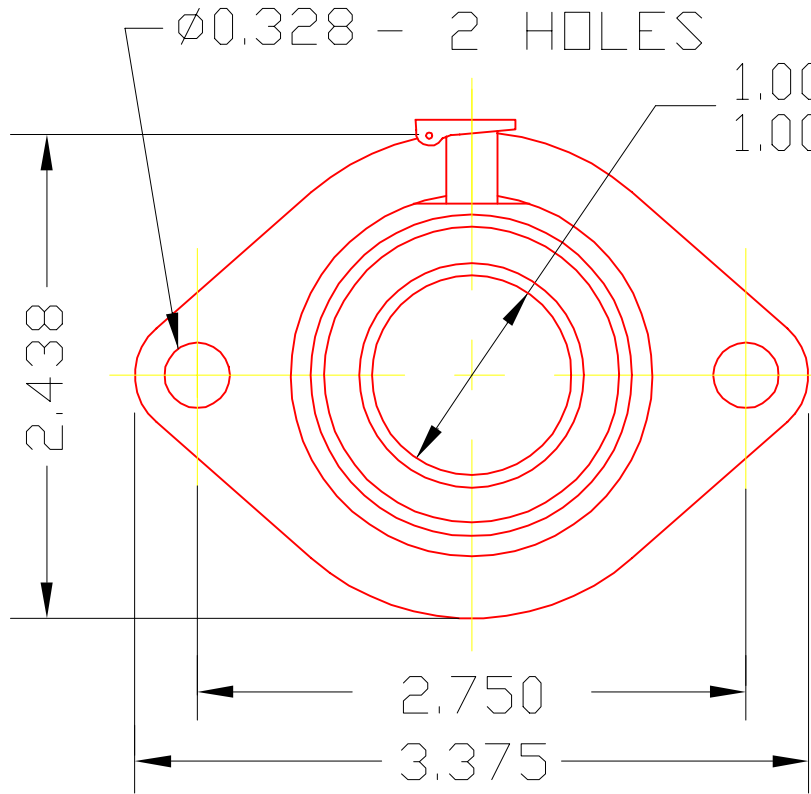


FAH16A

Ⓓ ASSEMBLE WITH JOINT IN THE SHELL TOWARDS THE TOP OF THE MOUNTING TO GET PROPER ALIGNMENT FIT.



3	H16A	BRG. BALL	1
2	2763	BACK PLATE	1
1	2762	CONTAINER	1
DET	PART NUMBER	DESCRIPTION	AMT

△ TRIANGLE MANUFACTURING CO.  
OSHKOSH, WI.

NAME SIDE FLANGE BRG. ASS'Y

USED IN FA SERIES

DATE 5-17-61

PART NO.

DRAWN BW-88

CHECKED SP

SCALE 1 / 1

FAH16A

LUB OIL T.M.C. #L-1

PLATING GALV

MATERIAL SEE DETAIL

ALL DIMS. ±.020 UNLESS OTHERWISE SPECIFIED

CHANGE LEVEL

D 07-13-94