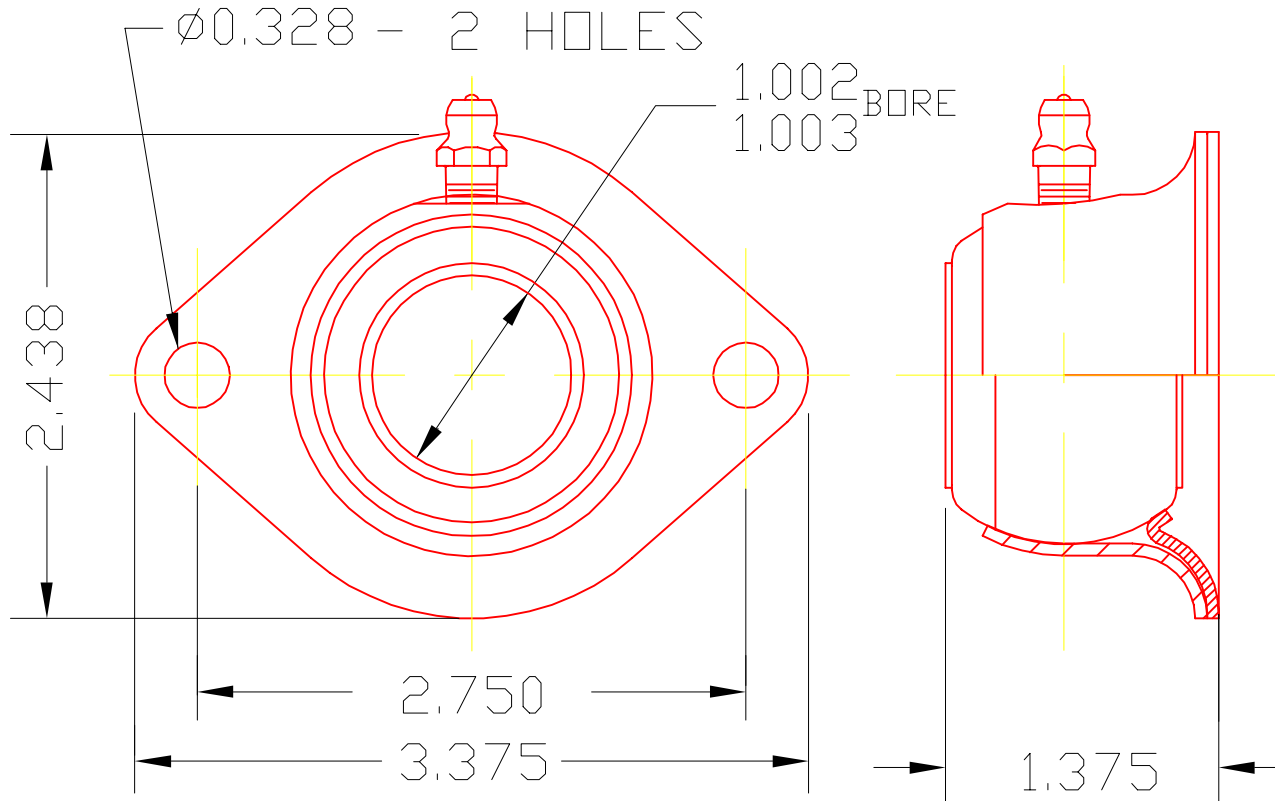


FAH16G

Ⓓ ASSEMBLE WITH JOINT IN THE SHELL TOWARDS THE TOP OF THE MOUNTING TO GET PROPER ALIGNMENT FIT.



3	H16G	BRG. BALL	1
2	2763	BACK PLATE	1
1	2762	CONTAINER	1

DET	PART NUMBER	DESCRIPTION	AMT
-----	-------------	-------------	-----

△ TRIANGLE MANUFACTURING CO.  
OSHKOSH, WI.

NAME SIDE FLANGE BRG. ASS'Y

USED IN FA SERIES

DATE 5-16-61 PART NO.

DRAWN BW-88

CHECKED SP

SCALE 1 / 1

LUB	NONE
PLATING	GALV
MATERIAL	SEE DETAIL
ALL DIMS. $\pm 0.020$ UNLESS OTHERWISE SPECIFIED	

FAH16G

CHANGE LEVEL
D 07-13-94