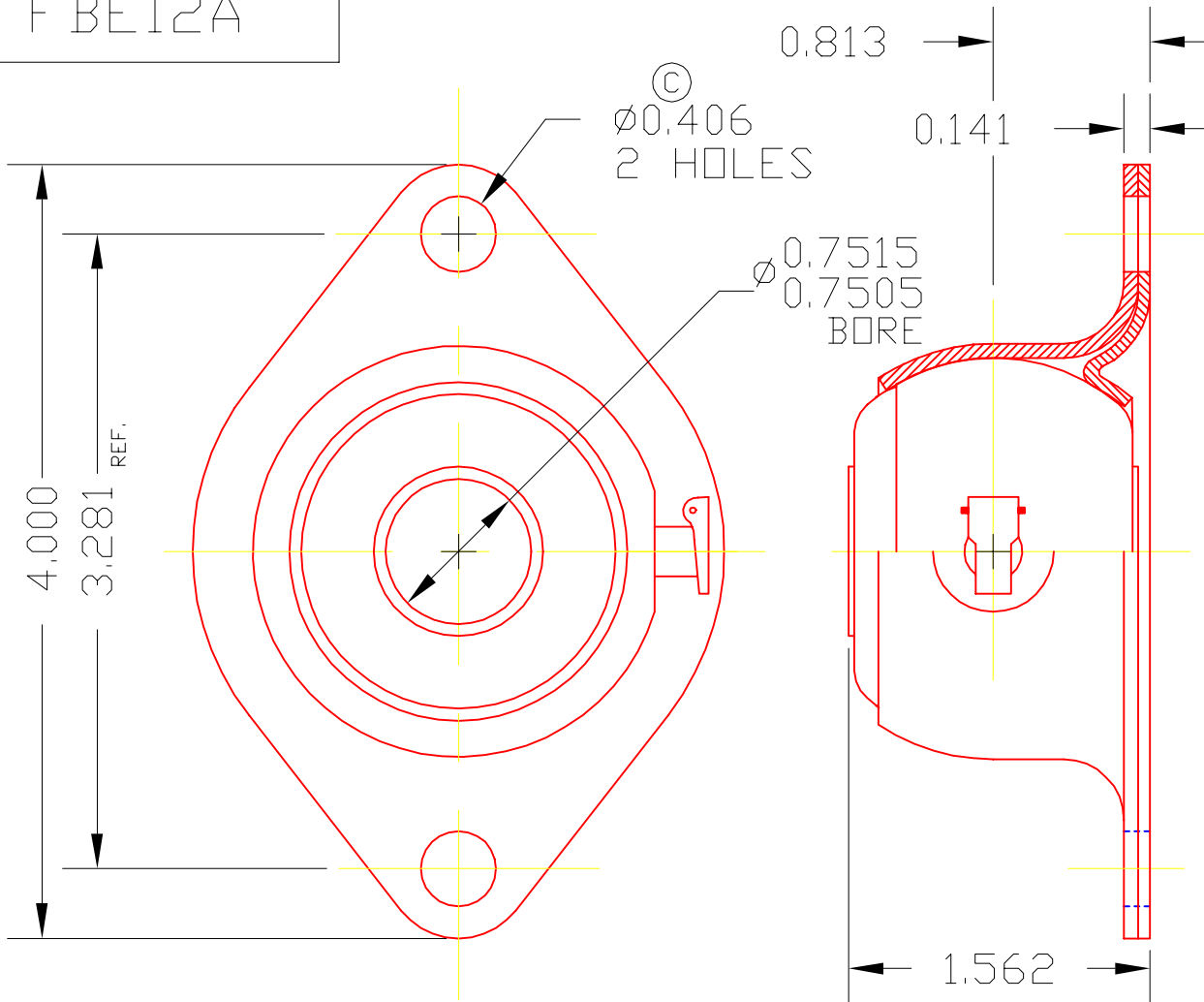


FBE12A



(C)
NOTE: MOUNTING HOLES TO FIT OVER
3/8" BOLTS ON 3.281±.005" CENTERS.

(A)

LUB.	OIL-T.M.C. #L-1
PLATING	GALV
MATERIAL	SEE DETAILS
ALL DIMS ±.02 UNLESS SPECIFIED	

(B)

3	E12A	BALL ASS'Y	1
2	4093	CONTAINER	1
1	1031	BRACKET	1
DET	PART NUMBER	DESCRIPTION	AMT

A TRIANGLE MANUFACTURING CO.
OSHKOSH, WI.

NAME SIDE FLANGE BRG.	
USED IN	////
DATE	5-18-61
DRAWN	BW-88
CHECKED	SP
SCALE	1 / 1
PART NO. FBE12A	

CHANGE LEVEL
C 05-19-99