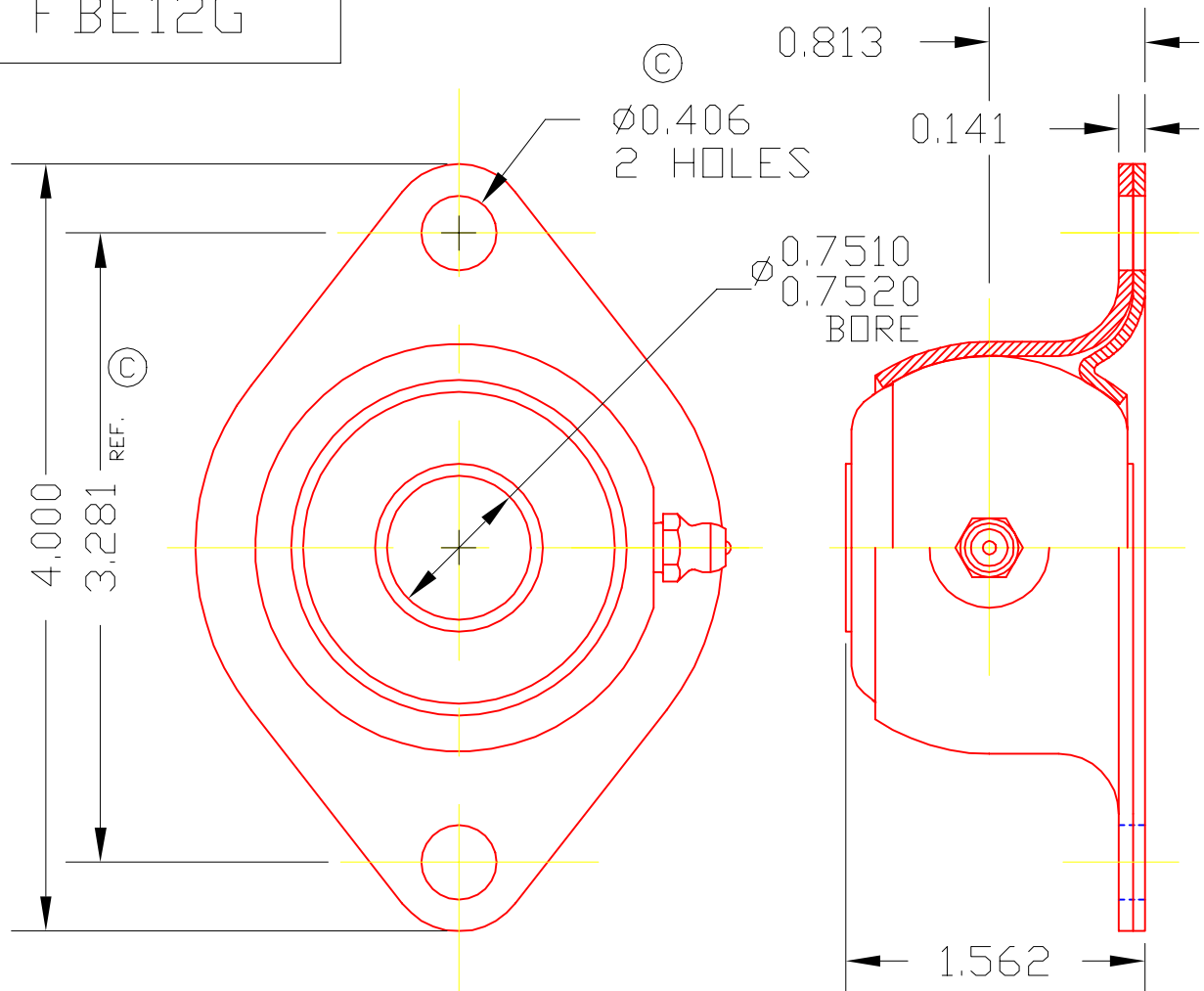


FBE12G



NOTE: MOUNTING HOLES TO FIT OVER
3/8" BOLTS ON 3.281±.005" CENTERS.

CHANGE LEVEL	
C	05-19-99

LUB.	NONE
PLATING	GALV
MATERIAL	SEE DETAILS
ALL DIMS ±.02 UNLESS SPECIFIED	

3	E12G	BALL ASS'Y	1
2	4093	CONTAINER	1
1	1031	BASE	1
DET	PART NUMBER	DESCRIPTION	AMT

▲ TRIANGLE MANUFACTURING CO.
OSHKOSH, WI.

NAME SIDE FLANGE BRG.

USED IN	////
DATE	2-23-60
DRAWN	BW-88
CHECKED	SP
SCALE	1 / 1

FBE12G