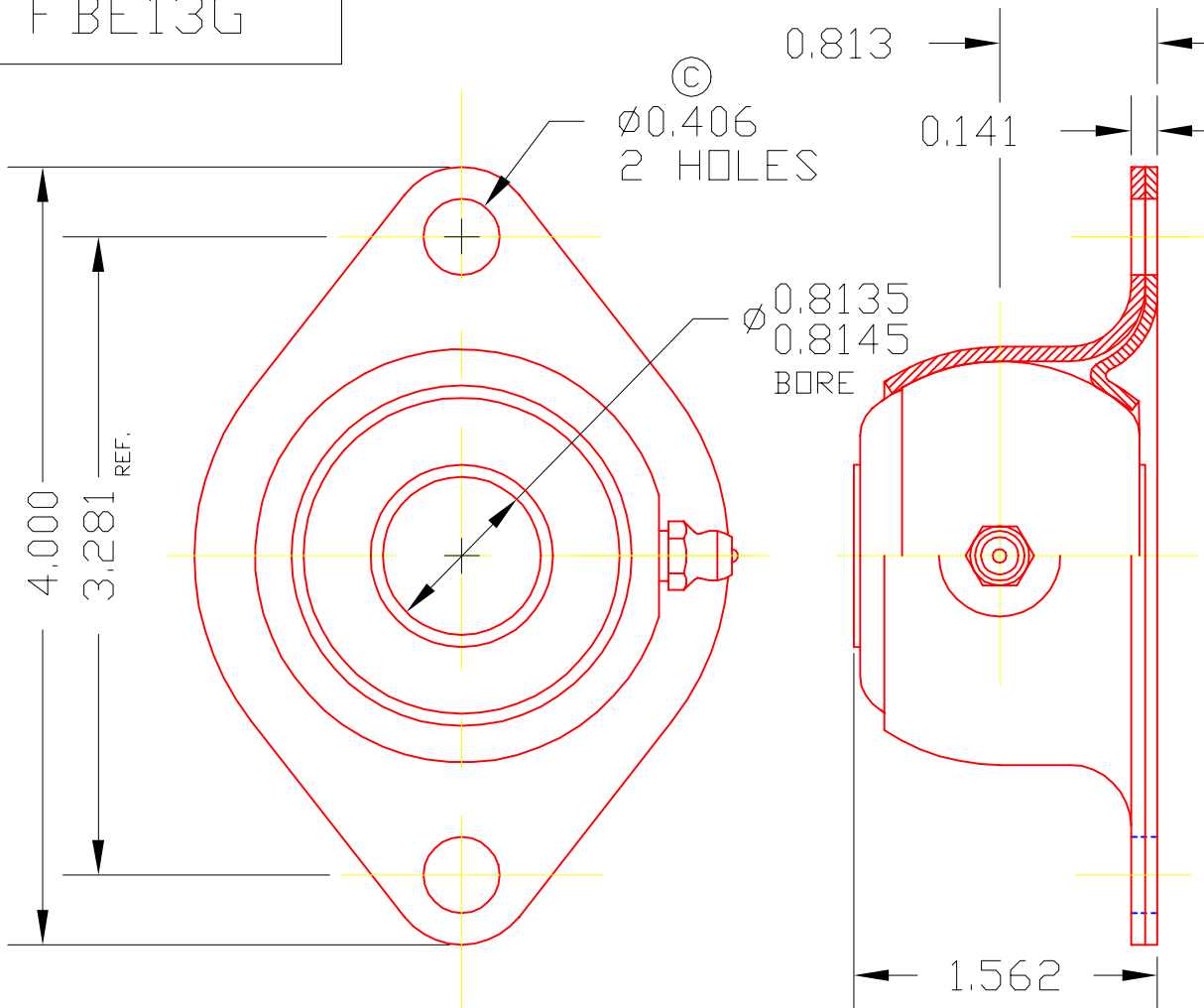


FBE13G



©
 $\text{Ø}0.406$
 2 HOLES

$\text{Ø}0.8135$
 $\text{Ø}0.8145$
 BORE

4.000
 3.281 REF.

0.813

0.141

1.562

©

NOTE: MOUNTING HOLES TO FIT OVER
 3/8" BOLTS ON 3.281±.005" CENTERS.

CHANGE LEVEL
C 05-19-99

LUB.	NONE
PLATING	GALV
MATERIAL	SEE DETAILS
ALL DIMS ±.02 UNLESS SPECIFIED	

3	E13G	BALL ASS'Y	1
2	4093	CONTAINER	1
1	1031	BRACKET	1

DET	PART NUMBER	DESCRIPTION	AMT
A TRIANGLE MANUFACTURING CO. OSHKOSH, WI.			

NAME SIDE FLANGE BRG.	
USED IN	////
DATE	2-23-60
DRAWN	BW-88
CHECKED	SP
SCALE	1 / 1
PART NO. FBE13G	