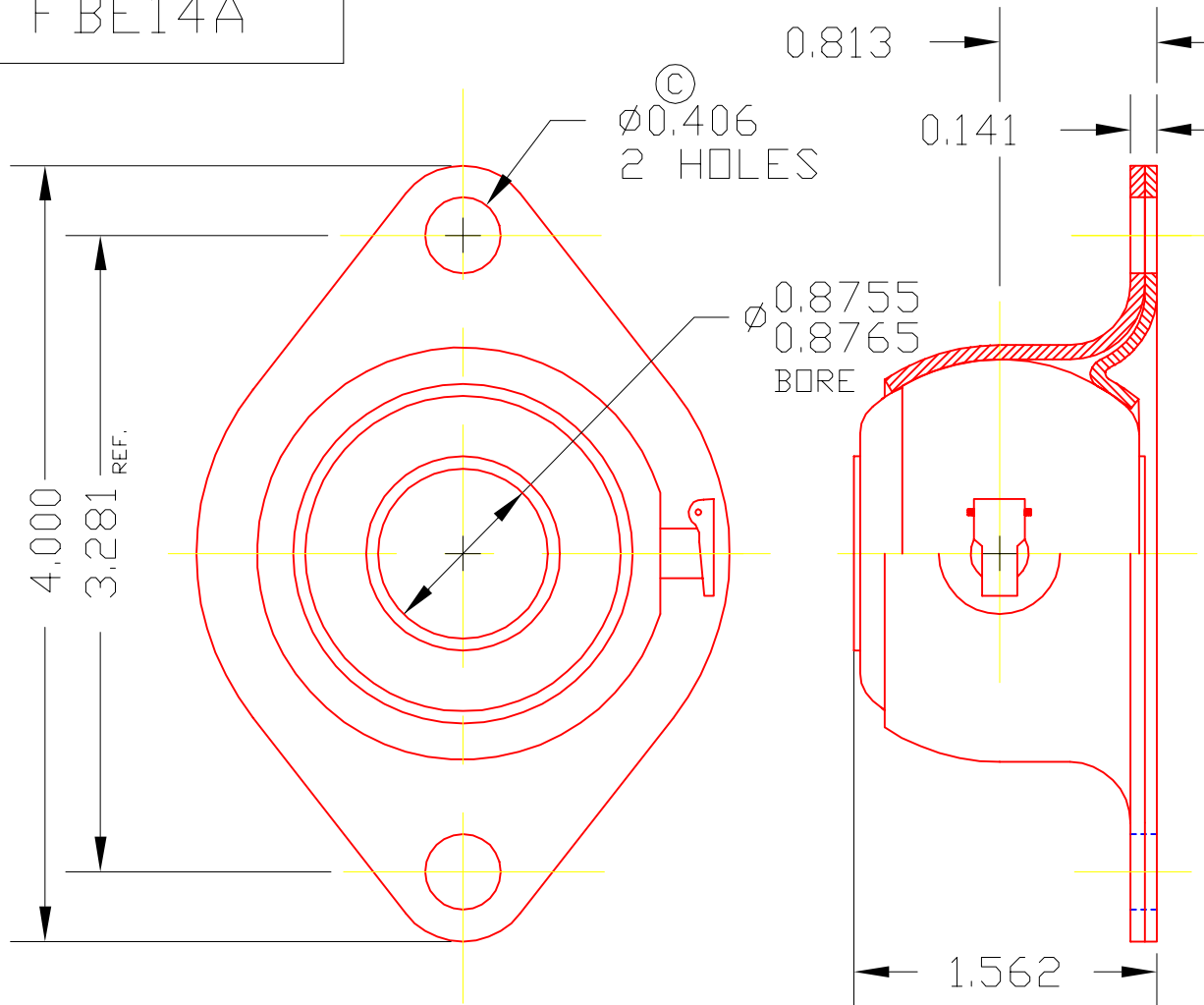


FBE14A



NOTE: MOUNTING HOLES TO FIT OVER 3/8" BOLTS ON 3.281±.005" CENTERS.

CHANGE LEVEL
C 05-19-99

(A)	LUB.	OIL-T.M.C. #L-1
	PLATING	GALV
	MATERIAL	SEE DETAILS
	ALL DIMS ±.02 UNLESS SPECIFIED	

(B)	3	E14A	BALL ASS'Y	1
	2	4093	CONTAINER	1
	1	1031	BRACKET	1

DET	PART NUMBER	DESCRIPTION	AMT
		TRIANGLE MANUFACTURING CO. OSHKOSH, WI.	

NAME SIDE FLANGE BRG.

USED IN

DATE	5-18-61	PART NO.	FBE14A
DRAWN	BW-88		
CHECKED	SP		
SCALE	1 / 1		