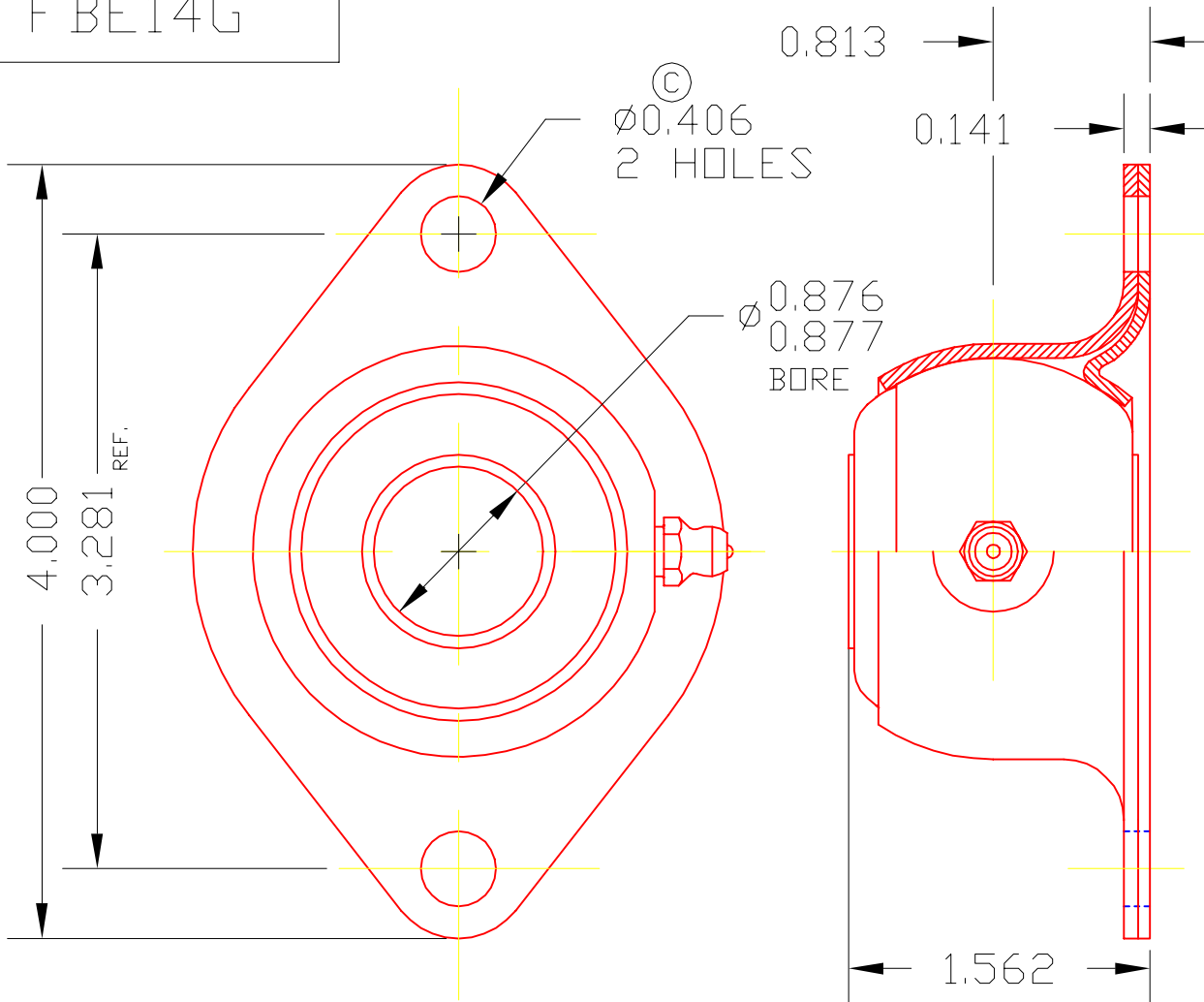


FBE14G



©
 $\varnothing 0.406$
 2 HOLES

$\varnothing 0.876$
 $\varnothing 0.877$
 BORE

4.000
 3.281 REF.

0.813

0.141

1.562

©

NOTE: MOUNTING HOLES TO FIT OVER
 3/8" BOLTS ON 3.281±.005" CENTERS.

3	E14G	BALL ASS'Y	1
2	4093	CONTAINER	1
1	1031	BRACKET	1

DET	PART NUMBER	DESCRIPTION	AMT
-----	-------------	-------------	-----

A TRIANGLE MANUFACTURING CO.
 OSHKOSH, WI.

NAME SIDE FLANGE BRG.

USED IN // // //

DATE 2-23-60 PART NO.

DRAWN BW-88

CHECKED SP

SCALE 1 / 1

FBE14G

CHANGE LEVEL
C 05-19-99

LUB. NONE

PLATING GALV

MATERIAL SEE DETAILS

ALL DIMS ±.02 UNLESS SPECIFIED