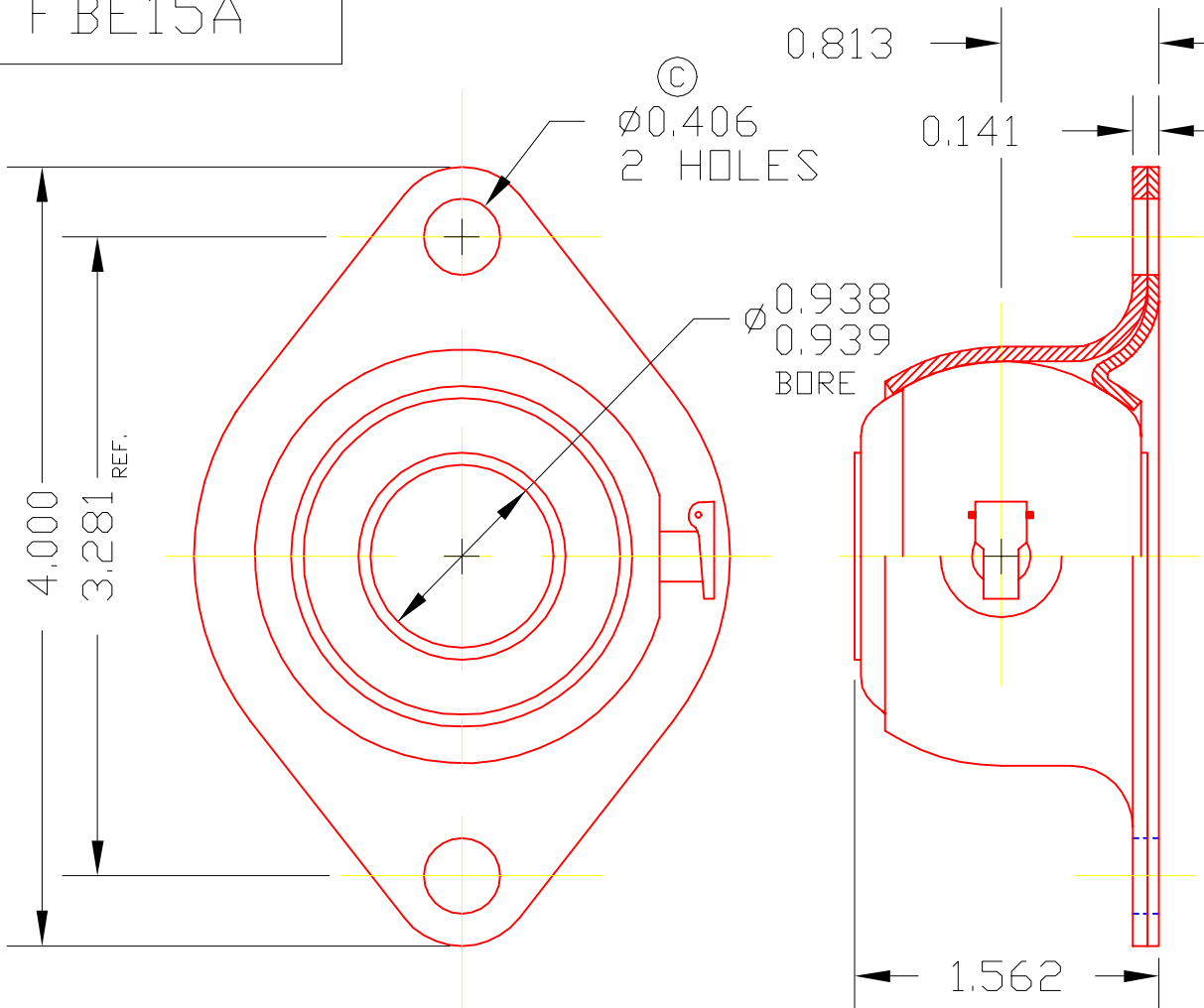


FBE15A



©  
 $\varnothing 0.406$   
 2 HOLES

$\varnothing 0.938$   
 $\varnothing 0.939$   
 BORE

0.813

0.141

1.562

4.000  
 3.281 REF.

©  
 NOTE: MOUNTING HOLES TO FIT OVER  
 3/8" BOLTS ON 3.281±.005" CENTERS.

ⓑ

3	E15A	BALL ASS'Y	1
2	4093	CONTAINER	1
1	1031	BRACKET	1
DET	PART NUMBER	DESCRIPTION	AMT

△ TRIANGLE MANUFACTURING CO.  
 OSHKOSH, WI.

NAME SIDE FLANGE BRG.

USED IN	////
DATE	5-18-61
DRAWN	BW-88
CHECKED	SP
SCALE	1 / 1

Ⓐ

LUB.	OIL-T.M.C. #L-1
PLATING	GALV
MATERIAL	SEE DETAILS
ALL DIMS ±.02 UNLESS SPECIFIED	

CHANGE LEVEL	
C	05-19-99

FBE15A