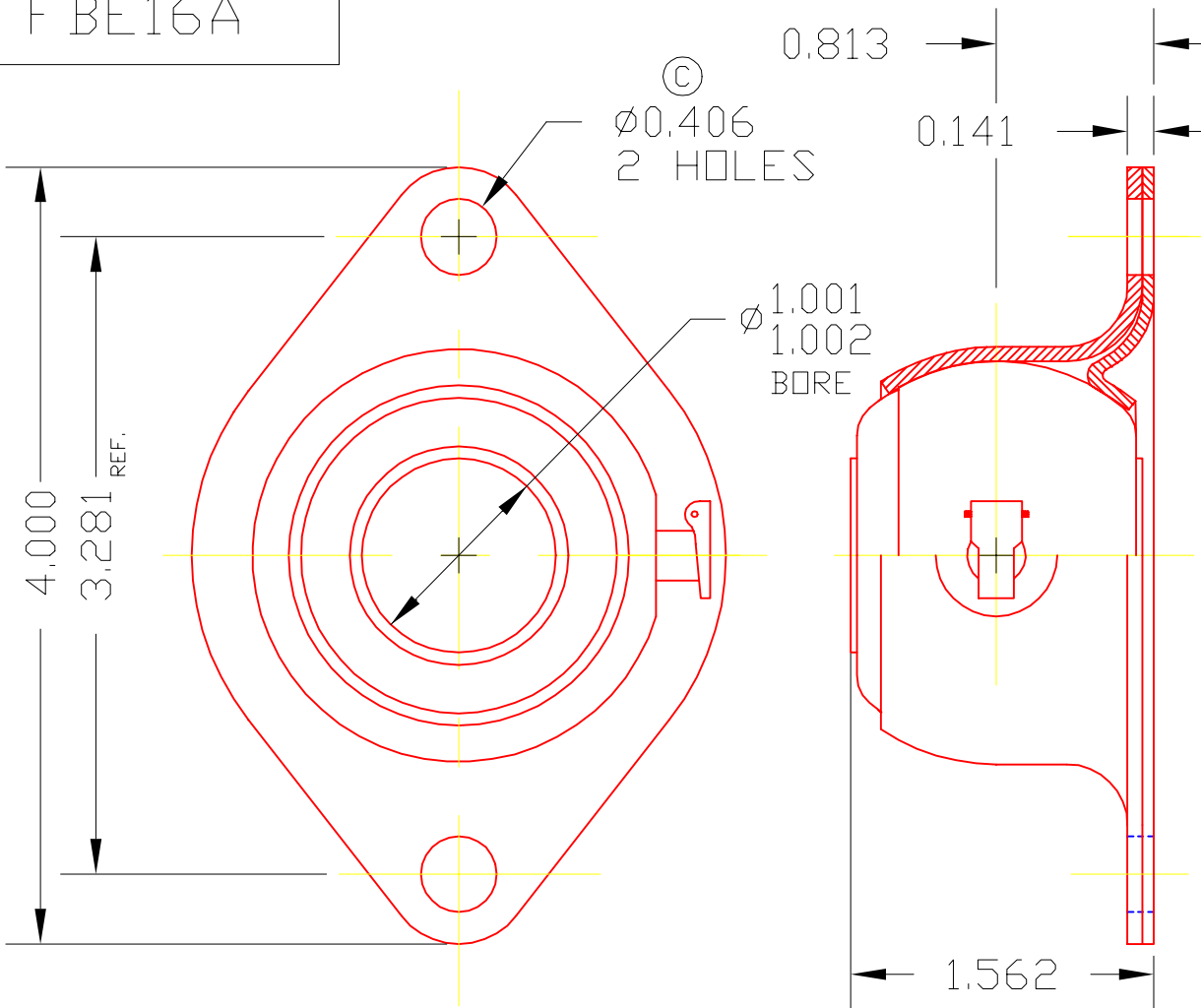


FBE16A



©  $\varnothing 0.406$   
2 HOLES

$\varnothing 1.001$   
 $\varnothing 1.002$   
BORE

0.813

0.141

1.562

© NOTE: MOUNTING HOLES TO FIT OVER  
3/8" BOLTS ON 3.281±.005" CENTERS.

Ⓑ

3	E16A	BALL ASS'Y	1
2	4093	CONTAINER	1
1	1031	BRACKET	1

DET	PART NUMBER	DESCRIPTION	AMT
-----	-------------	-------------	-----

△ TRIANGLE MANUFACTURING CO.  
OSHKOSH, WI.

NAME SIDE FLANGE BRG.

USED IN // // //

DATE 5-18-61

PART NO.

DRAWN BW-88

CHECKED SP

SCALE 1 / 1

FBE16A

CHANGE LEVEL
C 05-19-99

LUB.	OIL-T.M.C. #L-1
PLATING	GALV
MATERIAL	SEE DETAILS
ALL DIMS ±.02 UNLESS SPECIFIED	

Ⓐ