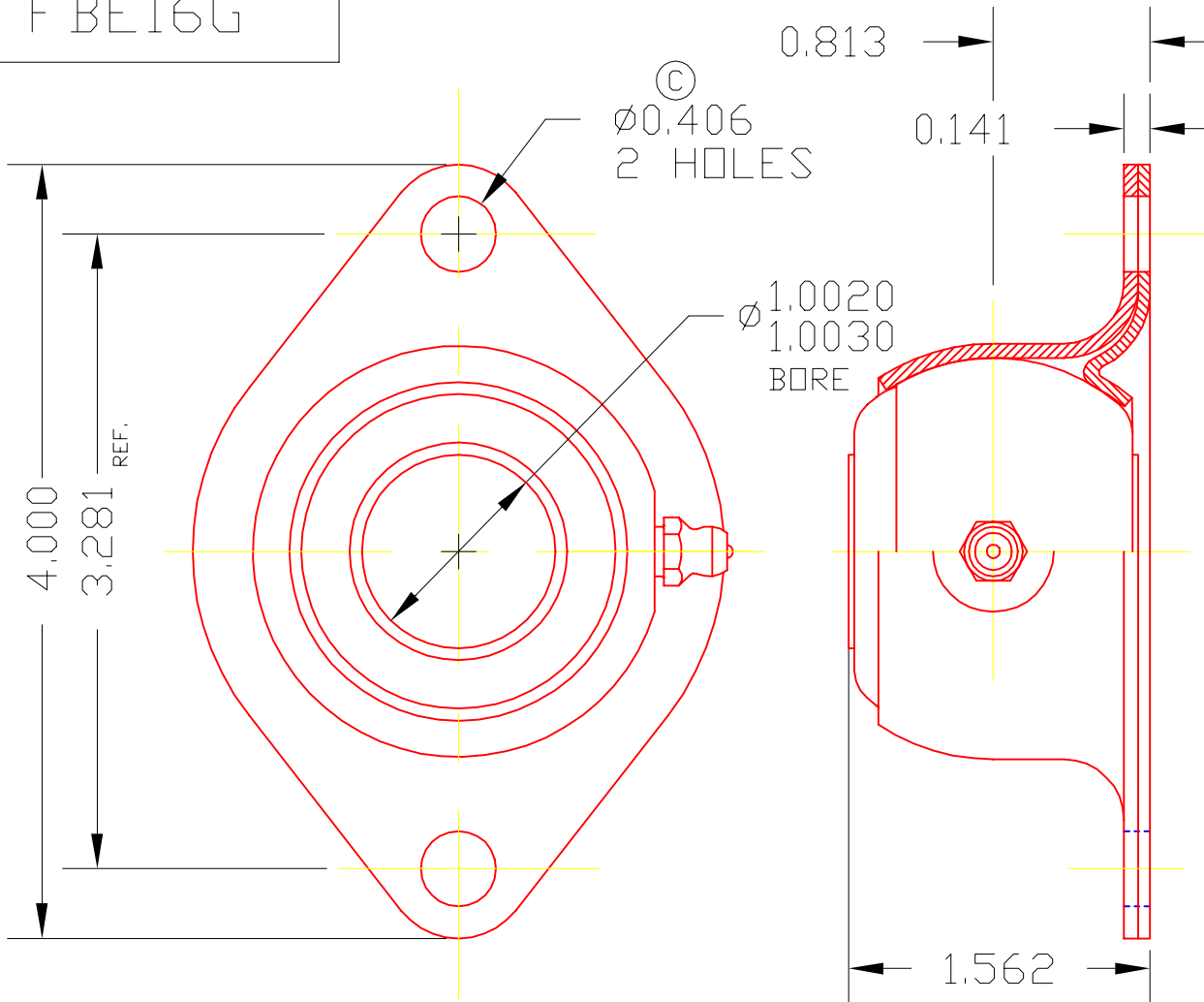


FBE16G



©
NOTE: MOUNTING HOLES TO FIT OVER
3/8" BOLTS ON 3.281±.005" CENTERS.

3	E16G	BALL ASS'Y	1
2	4093	CONTAINER	1
1	1031	BRACKET	1
DET	PART NUMBER	DESCRIPTION	AMT

A TRIANGLE MANUFACTURING CO.
OSHKOSH, WI.

NAME SIDE FLANGE BRG.	
USED IN	////
DATE	2-23-60
DRAWN	BW-88
CHECKED	SP
SCALE	1 / 1
PART NO. FBE16G	

LUB.	NONE
PLATING	GALV
MATERIAL	SEE DETAILS
ALL DIMS ±.02 UNLESS SPECIFIED	

CHANGE LEVEL
C 05-19-99