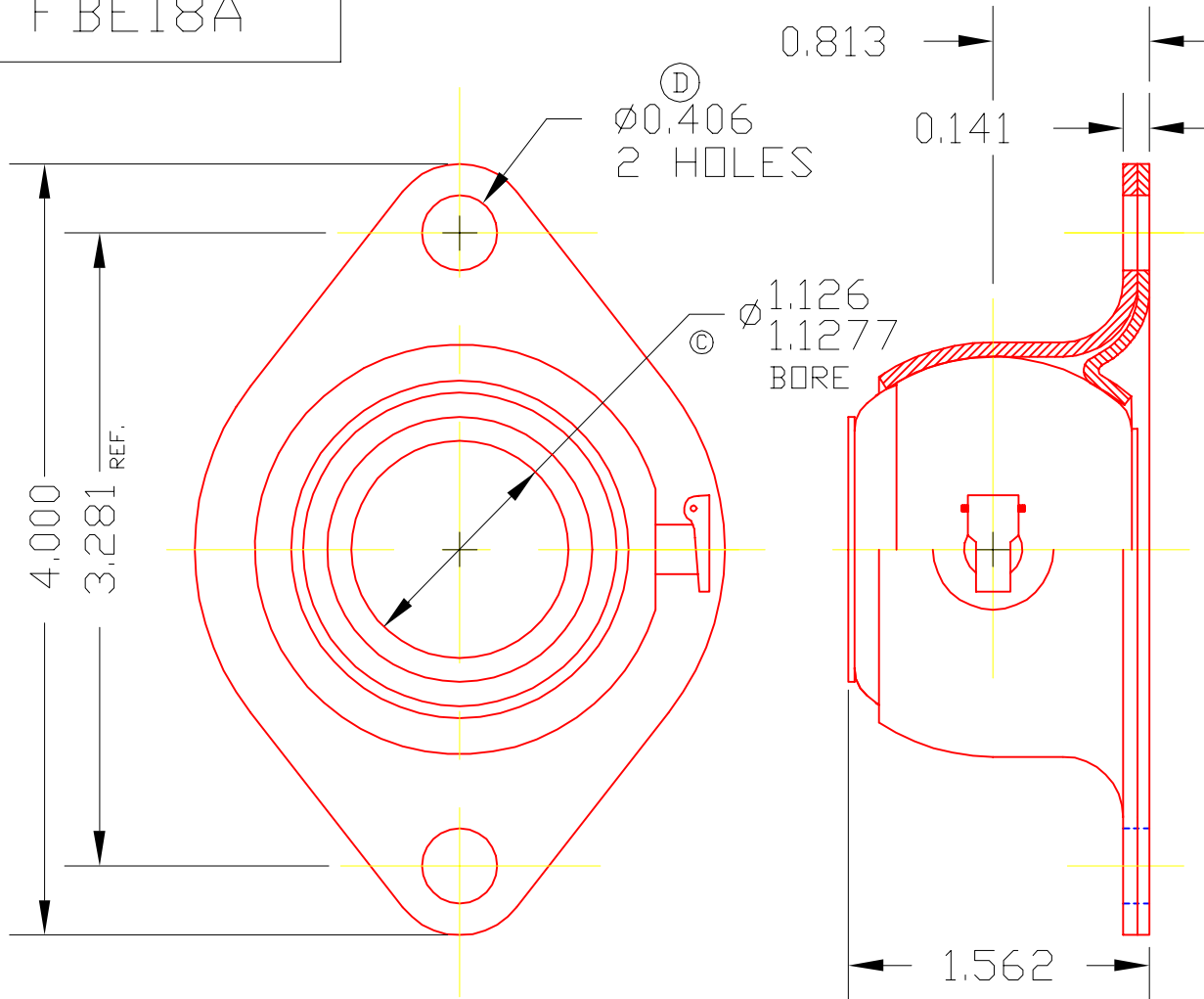


FBE18A



ⓓ $\varnothing 0.406$
2 HOLES

ⓐ $\varnothing 1.126$
 $\varnothing 1.1277$
BORE

4.000
3.281 REF.

0.813

0.141

1.562

ⓓ NOTE: MOUNTING HOLES TO FIT OVER
3/8" BOLTS ON 3.281±.005" CENTERS.

ⓑ

3	E18A	BALL ASS'Y	1
2	4093	CONTAINER	1
1	1031	BRACKET	1

DET	PART NUMBER	DESCRIPTION	AMT
-----	-------------	-------------	-----

△ TRIANGLE MANUFACTURING CO.
OSHKOSH, WI.

NAME SIDE FLANGE BRG.

ⓐ

LUB.	OIL-T.M.C. #L-1
PLATING	GALV
MATERIAL	SEE DETAILS
ALL DIMS ±.02 UNLESS SPECIFIED	

USED IN	////
DATE	5-18-61
DRAWN	BW-88
CHECKED	SP
SCALE	1 / 1

CHANGE LEVEL	
D	05-19-99

FBE18A