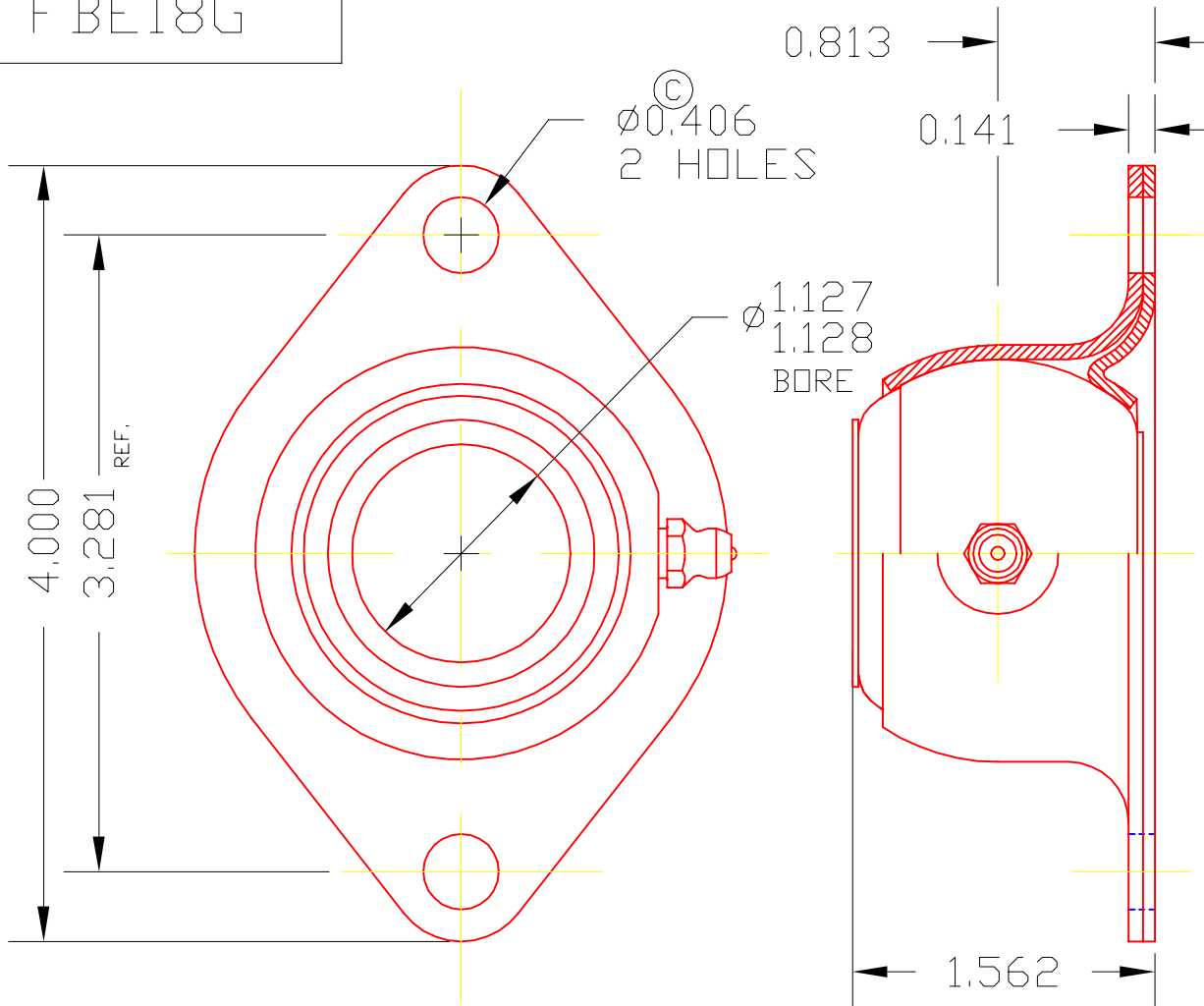


FBE18G



NOTE: [©] MOUNTING HOLES TO FIT OVER 3/8" BOLTS ON 3.281±.005" CENTERS.

CHANGE LEVEL
C 05-19-99

3	E18G	BALL ASS'Y	1
2	4093	CONTAINER	1
1	1031	BRACKET	1
DET	PART NUMBER	DESCRIPTION	AMT

△ TRIANGLE MANUFACTURING CO.
OSHKOSH, WI.

NAME SIDE FLANGE BRG.

LUB.	NONE
PLATING	GALV
MATERIAL	SEE DETAILS
ALL DIMS ±.02 UNLESS SPECIFIED	

USED IN	////
DATE	2-23-60
DRAWN	BW-88
CHECKED	SP
SCALE	1 / 1
PART NO.	FBE18G