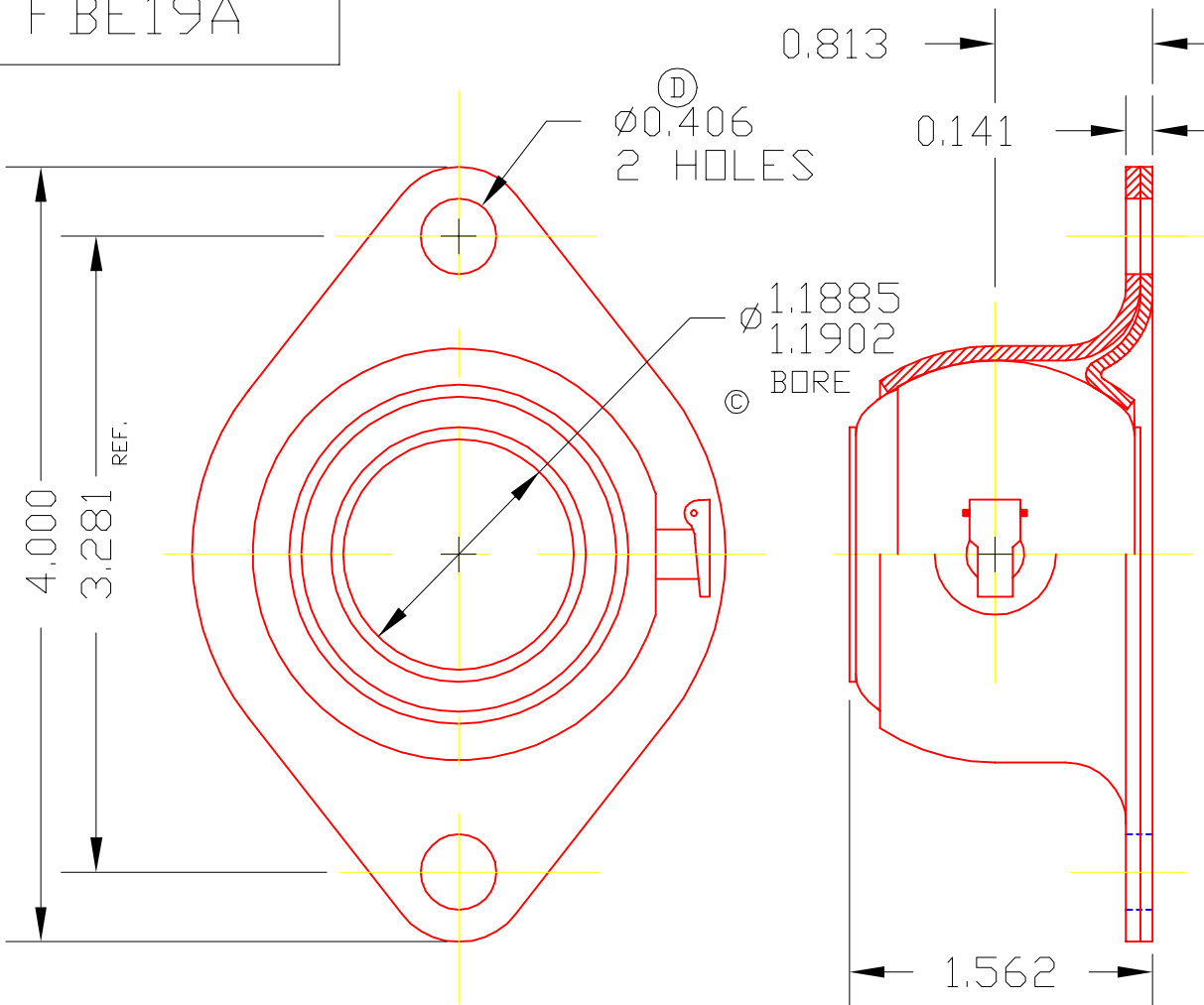


FBE19A



(D) NOTE: MOUNTING HOLES TO FIT OVER 3/8" BOLTS ON 3.281±.005" CENTERS.

| |
|--------------|
| CHANGE LEVEL |
| D 05-19-99 |

| | |
|-----|--------------------------------|
| (A) | LUB. OIL-T.M.C. #L-1 |
| | PLATING GALV |
| | MATERIAL SEE DETAILS |
| | ALL DIMS ±.02 UNLESS SPECIFIED |

| | | | | |
|-----|-----|-------------|-------------|-----|
| (B) | 3 | E19A | BALL ASS'Y | 1 |
| | 2 | 4093 | CONTAINER | 1 |
| | 1 | 1031 | BRACKET | 1 |
| | DET | PART NUMBER | DESCRIPTION | AMT |

A TRIANGLE MANUFACTURING CO.
OSHKOSH, WI.

NAME SIDE FLANGE BRG.

| | |
|---------|---------|
| USED IN | //// |
| DATE | 5-18-61 |
| DRAWN | BW-88 |
| CHECKED | SP |
| SCALE | 1 / 1 |

FBE19A