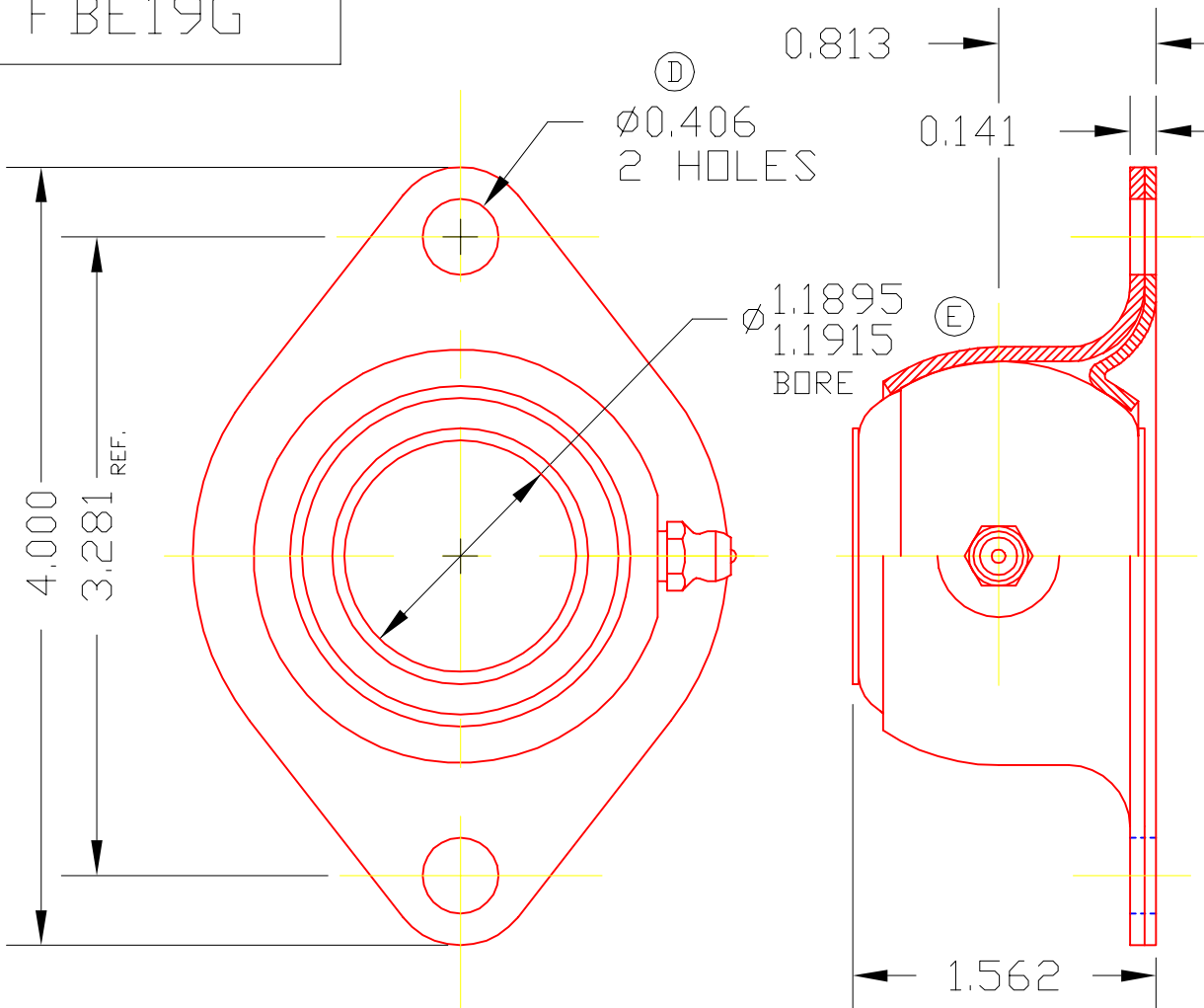


FBE19G



(D) $\varnothing 0.406$
2 HOLES

$\varnothing 1.1895$
 1.1915
BORE

(E)

4.000
3.281 REF.

0.813

0.141

1.562

(D)
NOTE: MOUNTING HOLES TO FIT OVER
3/8" BOLTS ON 3.281±.005" CENTERS.

CHANGE LEVEL
E 04-22-03

LUB.	NONE
PLATING	GALV
MATERIAL	SEE DETAILS
ALL DIMS ±.02 UNLESS SPECIFIED	

3	E19G	BALL ASS'Y	1
2	4093	CONTAINER	1
1	1031	BRACKET	1

DET	PART NUMBER	DESCRIPTION	AMT
-----	-------------	-------------	-----

△ TRIANGLE MANUFACTURING CO.
OSHKOSH, WI.

NAME SIDE FLANGE BRG.

USED IN	////
DATE	2-23-60
DRAWN	BW-88
CHECKED	SP
SCALE	1 / 1
PART NO. FBE19G	