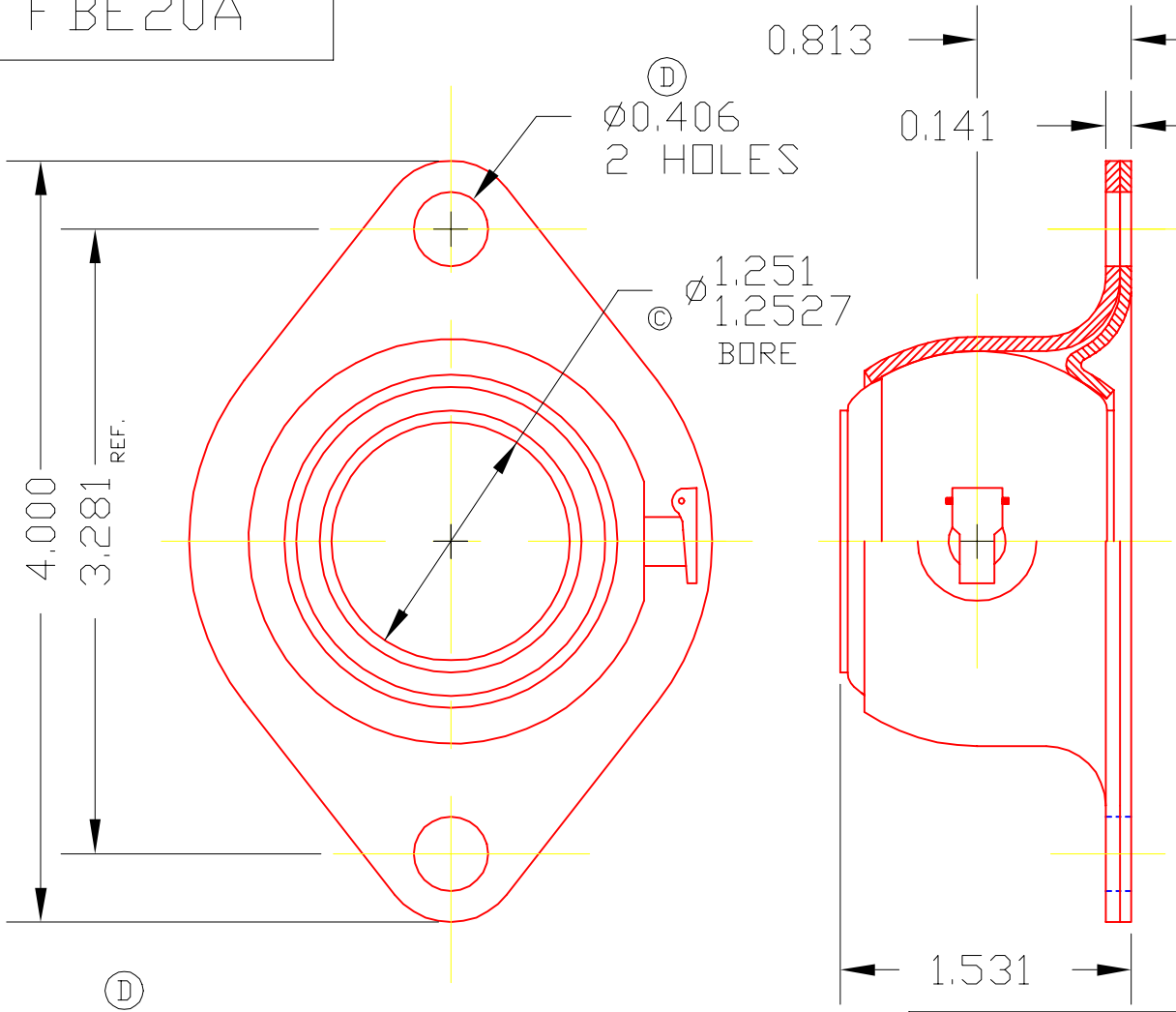


FBE20A



NOTE: MOUNTING HOLES TO FIT OVER 3/8" BOLTS ON 3.281±.005" CENTERS.

(B)	3	E20A	BALL ASS'Y	1
(E)	2	4093	CONTAINER	1
(F)	1	1031	BRACKET	1
DET	PART NUMBER	DESCRIPTION	AMT	

△ TRIANGLE MANUFACTURING CO.
OSHKOSH, WI.

NAME SIDE FLANGE BRG.

USED IN	////
DATE	5-18-61
DRAWN	BW-88
CHECKED	SP
SCALE	1 / 1

(A)	LUB.	OIL-T.M.C. #L-1
	PLATING	GALV
	MATERIAL	SEE DETAILS
	ALL DIMS ±.02 UNLESS SPECIFIED	

FBE20A

CHANGE LEVEL
F 05-05-03