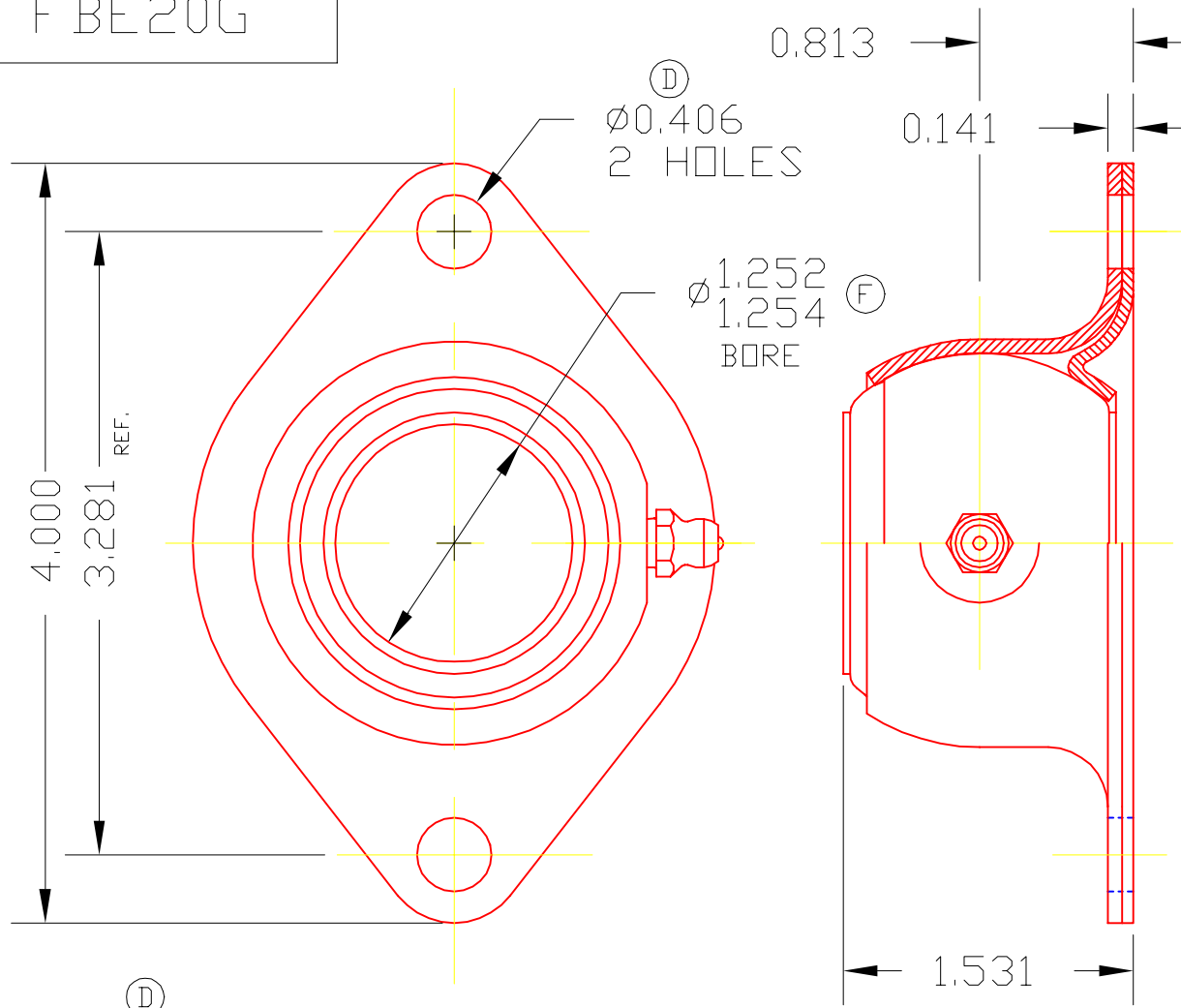


FBE20G



(D)

NOTE: MOUNTING HOLES TO FIT OVER
3/8" BOLTS ON 3.281±.005" CENTERS.

(E)

(G)

3	E20G	BALL ASS'Y	1
2	4093	CONTAINER	1
1	1031	BRACKET	1
DET	PART NUMBER	DESCRIPTION	AMT

▲ TRIANGLE MANUFACTURING CO.
OSHKOSH, WI.

NAME SIDE FLANGE BRG.

USED IN	////	PART NO.	FBE20G
DATE	2-23-60		
DRAWN	BW-88		
CHECKED	SP		
SCALE	1 / 1		

LUB.	NONE
PLATING	GALV
MATERIAL	SEE DETAILS
ALL DIMS ±.02 UNLESS SPECIFIED	

CHANGE LEVEL	
G	05-05-03