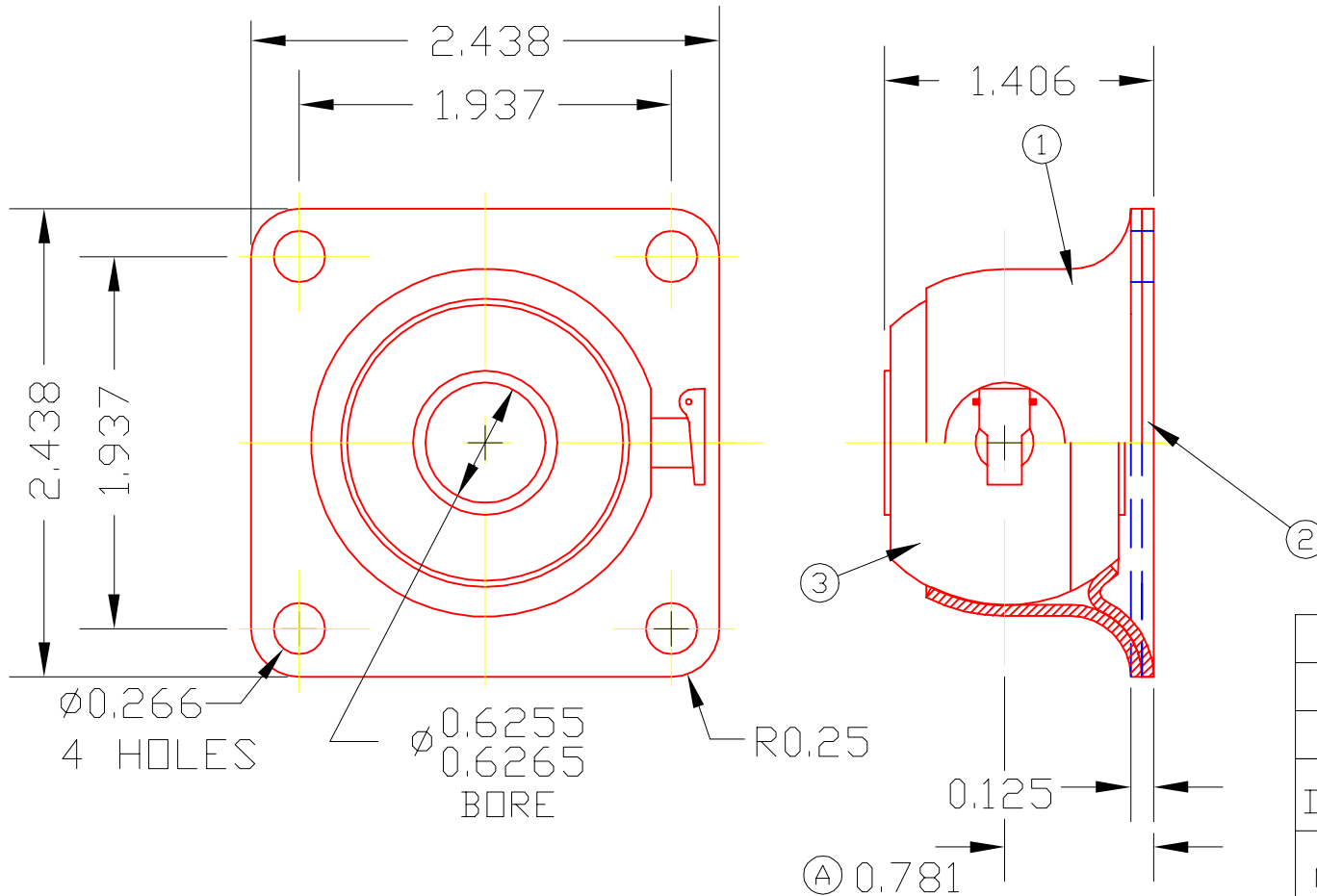


FDH10A

STAMPED, TRIANGLE MFG. CO  
OSHKOSH WI



3	H10A	BRG. BALL	1
2	1641	BACK PLATE	1
1	1640	CONTAINER	1

DET	PART NUMBER	DESCRIPTION	AMT
-----	-------------	-------------	-----

$\textcircled{A}$  TRIANGLE MANUFACTURING CO.  
OSHKOSH, WI.

NAME FLANGE PILLOW BLOCK

USED IN FD-SERIES

DATE	5-3-61	PART NO.  FDH10A
DRAWN	BW-88	
CHECKED	SP	
SCALE	1 / 1	

LUB.	OIL T.M.C. #L-1
PLATING	GALV
MATERIAL	SEE DETAILS
ALL DIMS. $\pm 0.020$ UNLESS OTHERWISE SPECIFIED	

CHANGE LEVEL
B 1-17-74