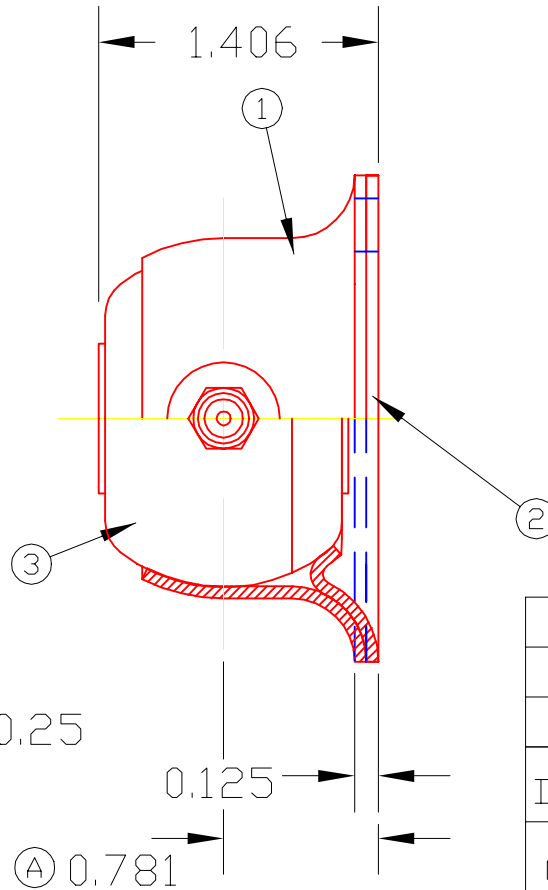
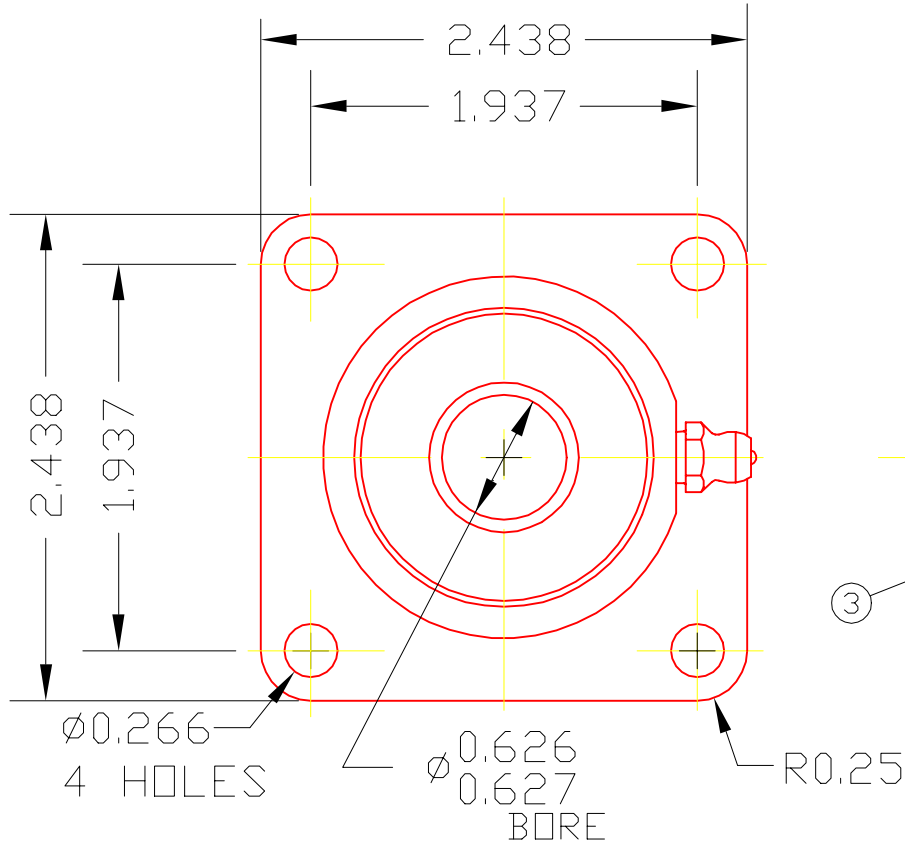


FDH10G

STAMPED, TRIANGLE MFG. CO
OSHKOSH WI



3	H10G	BRG. BALL	1
2	1641	BACK PLATE	1
1	1640	CONTAINER	1

DET	PART NUMBER	DESCRIPTION	AMT
-----	-------------	-------------	-----

\textcircled{A} TRIANGLE MANUFACTURING CO.
OSHKOSH, WI.

NAME FLANGE PILLOW BLOCK

USED IN FD-SERIES

DATE 5-11-61

PART NO.

DRAWN BW-88

CHECKED SP

SCALE 1 / 1

FDH10G

\textcircled{B}	LUB.	NONE
	PLATING	GALV
	MATERIAL	SEE DETAILS
	ALL DIMS. ± 0.020 UNLESS OTHERWISE SPECIFIED	

CHANGE LEVEL
\textcircled{B} 1-17-74