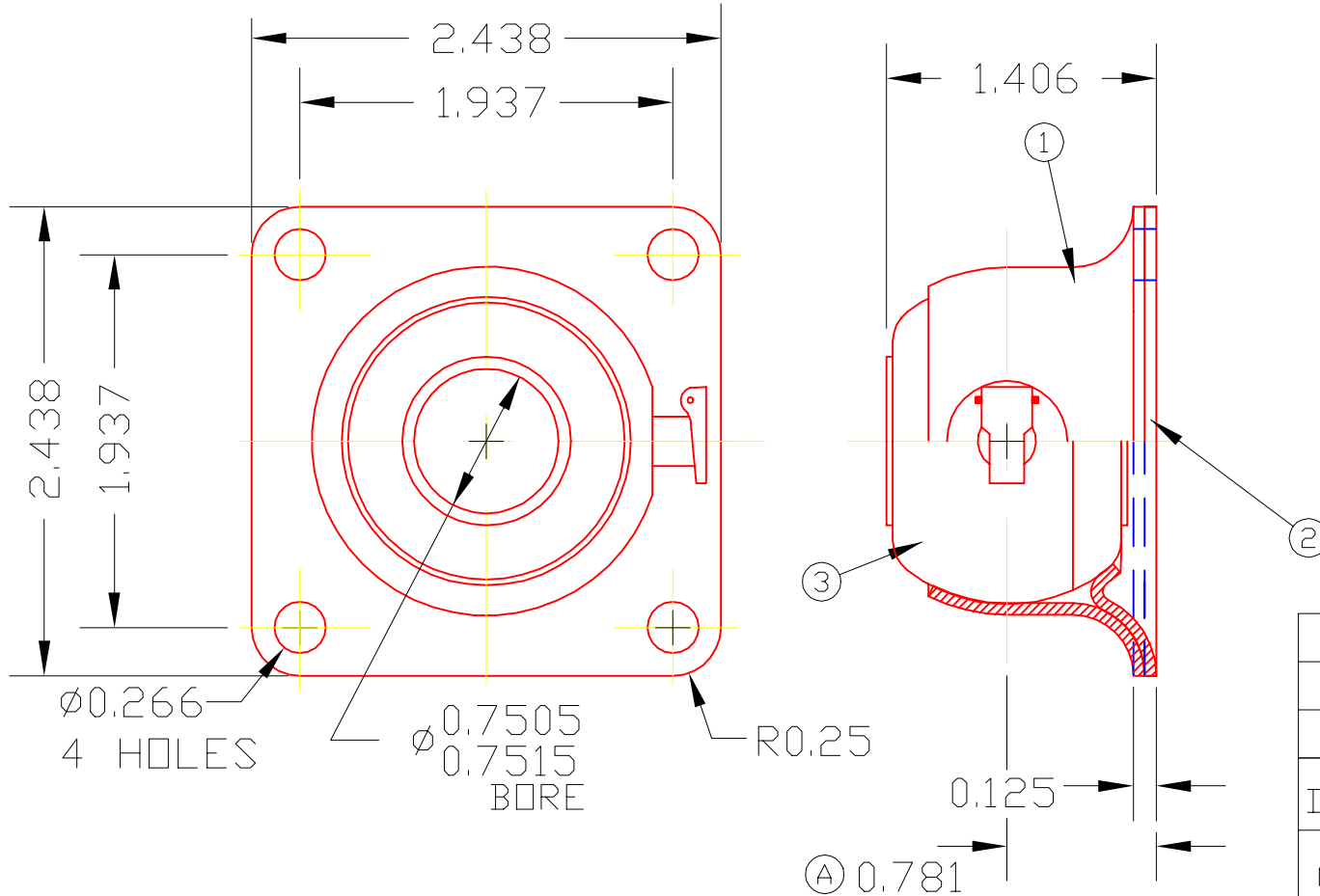


FDH12A

STAMPED, TRIANGLE MFG. CO
OSHKOSH WI



3	H12A	BRG. BALL	1
2	1641	BACK PLATE	1
1	1640	CONTAINER	1

DET	PART NUMBER	DESCRIPTION	AMT
-----	-------------	-------------	-----

\textcircled{A} TRIANGLE MANUFACTURING CO.
OSHKOSH, WI.

NAME FLANGE PILLOW BLOCK

USED IN FD-SERIES

DATE	5-17-61	PART NO. FDH12A
DRAWN	BW-88	
CHECKED	SP	
SCALE	1 / 1	

\textcircled{B}	LUB.	OIL T.M.C. #L-1
	PLATING	GALV
	MATERIAL	SEE DETAILS
	ALL DIMS. ± 0.020 UNLESS OTHERWISE SPECIFIED	

CHANGE LEVEL
\textcircled{B} 1-17-74