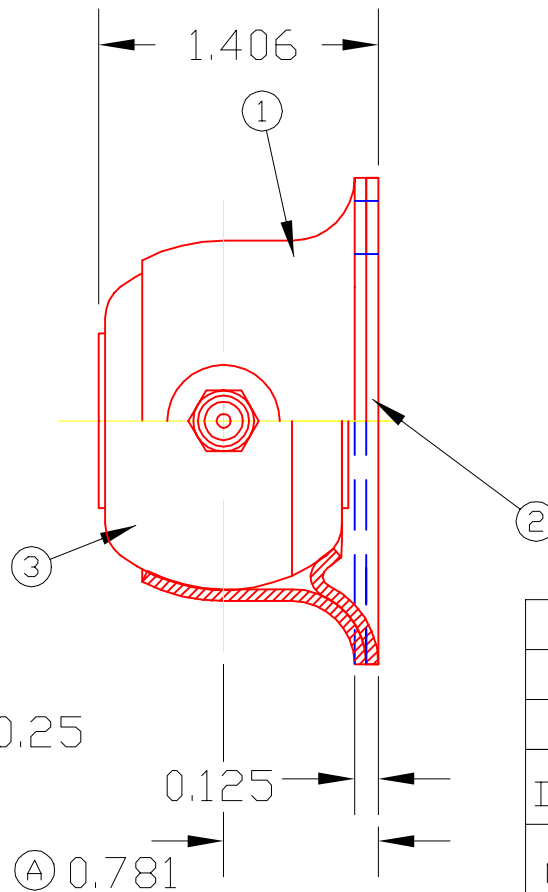
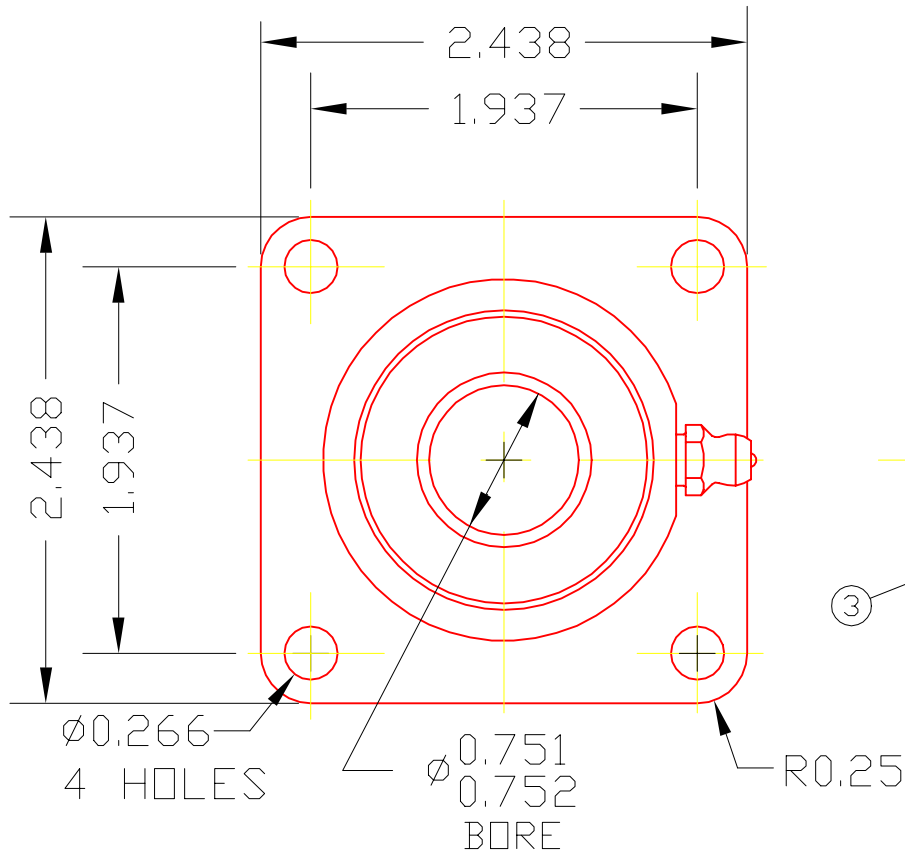


FDH12G

STAMPED, TRIANGLE MFG. CO
OSHKOSH WI



3	H12G	BRG. BALL	1
2	1641	BACK PLATE	1
1	1640	CONTAINER	1
DET	PART NUMBER	DESCRIPTION	AMT

▲ TRIANGLE MANUFACTURING CO.
OSHKOSH, WI.

NAME FLANGE PILLOW BLOCK

USED IN FD-SERIES

DATE 5-16-61 PART NO.

DRAWN BW-88

CHECKED SP

SCALE 1 / 1

FDH12G

LUB.	NONE
PLATING	GALV
MATERIAL	SEE DETAILS
ALL DIMS. ± 0.020 UNLESS OTHERWISE SPECIFIED	

CHANGE LEVEL
B 1-14-74