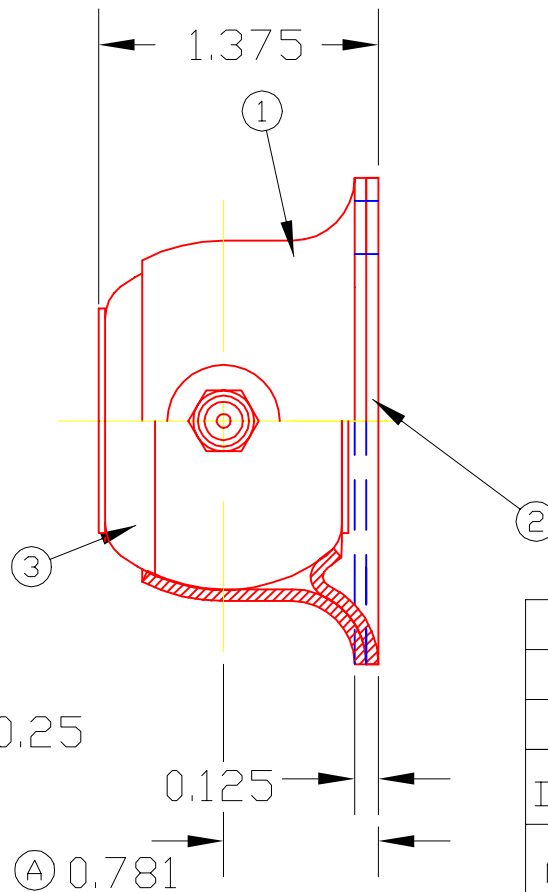
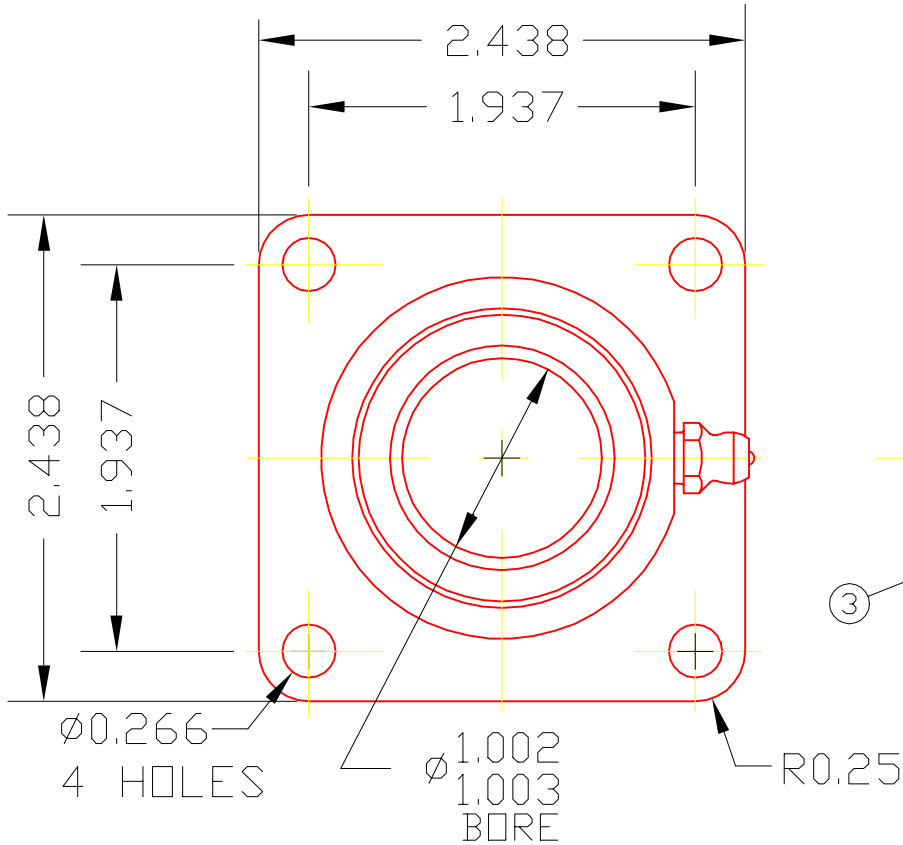


FDH16G

© ASSEMBLE WITH JOINT IN THE SHELL TOWARDS THE TOP OF THE MOUNTING TO GET PROPER ALIGNMENT FIT.



3	H16G	BRG. BALL	1
2	1641	BACK PLATE	1
1	1640	CONTAINER	1
DET	PART NUMBER	DESCRIPTION	AMT

△ TRIANGLE MANUFACTURING CO.  
OSHKOSH, WI.

NAME FLANGE PILLOW BLOCK

USED IN FD-SERIES

DATE 3-24-61 PART NO.

DRAWN BW-88

CHECKED SP

SCALE 1 / 1

FDH16G

ⓑ

LUB.	NONE
PLATING	GALV
MATERIAL	SEE DETAILS
ALL DIMS. ±.020 UNLESS OTHERWISE SPECIFIED	

CHANGE LEVEL
C 07-13-94