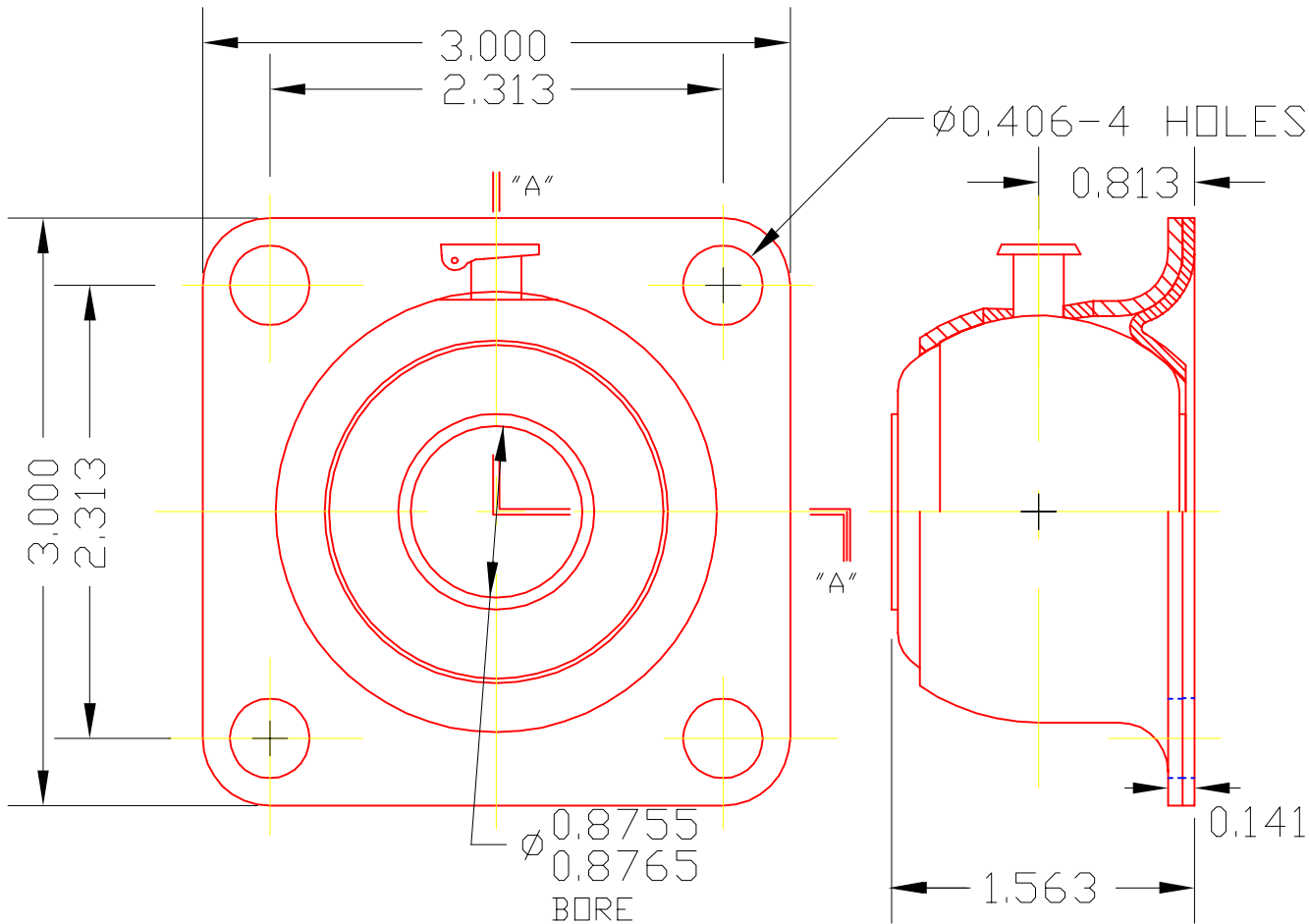


FEE14A



3	E14A	BALL ASS'Y	1
2	1051	BASE	1
1	1050	CONTAINER	1

DET	PART NUMBER	DESCRIPTION	AMT
-----	-------------	-------------	-----

△ TRIANGLE MANUFACTURING CO.  
OSHKOSH, WI.

NAME4 BOLT SIDE FLANGE BRG

USED IN FE MTG.

DATE 3-1-60 PART NO.

DRAWN BW-88

CHECKED SP

SCALE 1 / 1

FEE14A

LUB OIL T.M.C. #L1

PLATING GALV.

MATERIAL SEE DETAILS

ALL DIMS. ±.020 UNLESS OTHERWISE SPECIFIED

CHANGE LEVEL
A 1-22-74