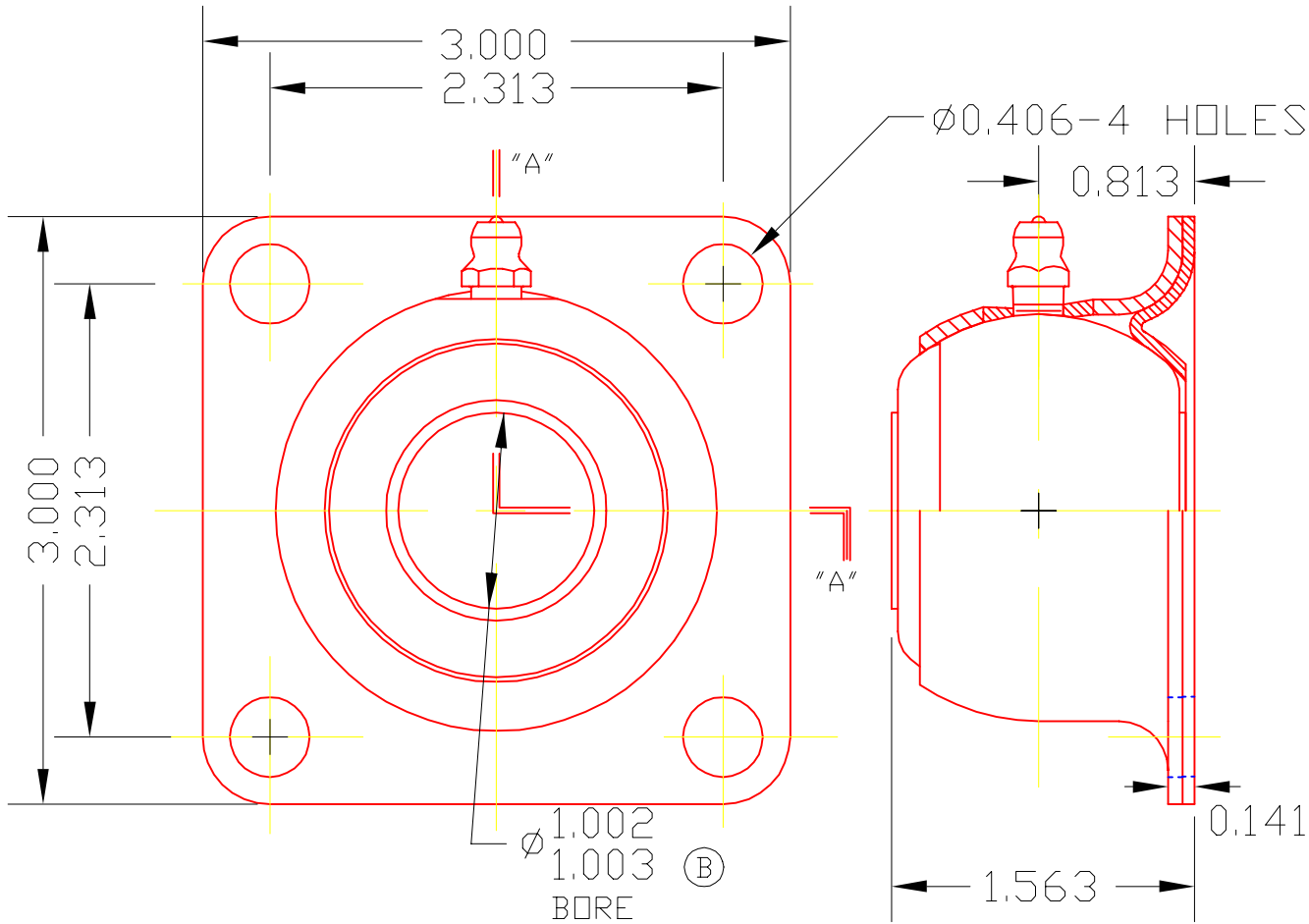


FEE16G



©  
MAXIMUM ROTATION 9° REF.

3	E16G	BALL ASS'Y	1
2	1051	BASE	1
1	1050	CONTAINER	1
DET	PART NUMBER	DESCRIPTION	AMT

△ TRIANGLE MANUFACTURING CO.  
OSHKOSH, WI.

NAME4 BOLT SIDE FLANGE BRG

USED IN FE MTG.

DATE	3-1-60	PART NO.	FEE16G
DRAWN	BW-88		
CHECKED	SP		
SCALE	1 / 1		

LUB	NONE
PLATING	GALV.
MATERIAL	SEE DETAILS
ALL DIMS. ±.020 UNLESS OTHERWISE SPECIFIED	

CHANGE LEVEL	
C	12-27-01