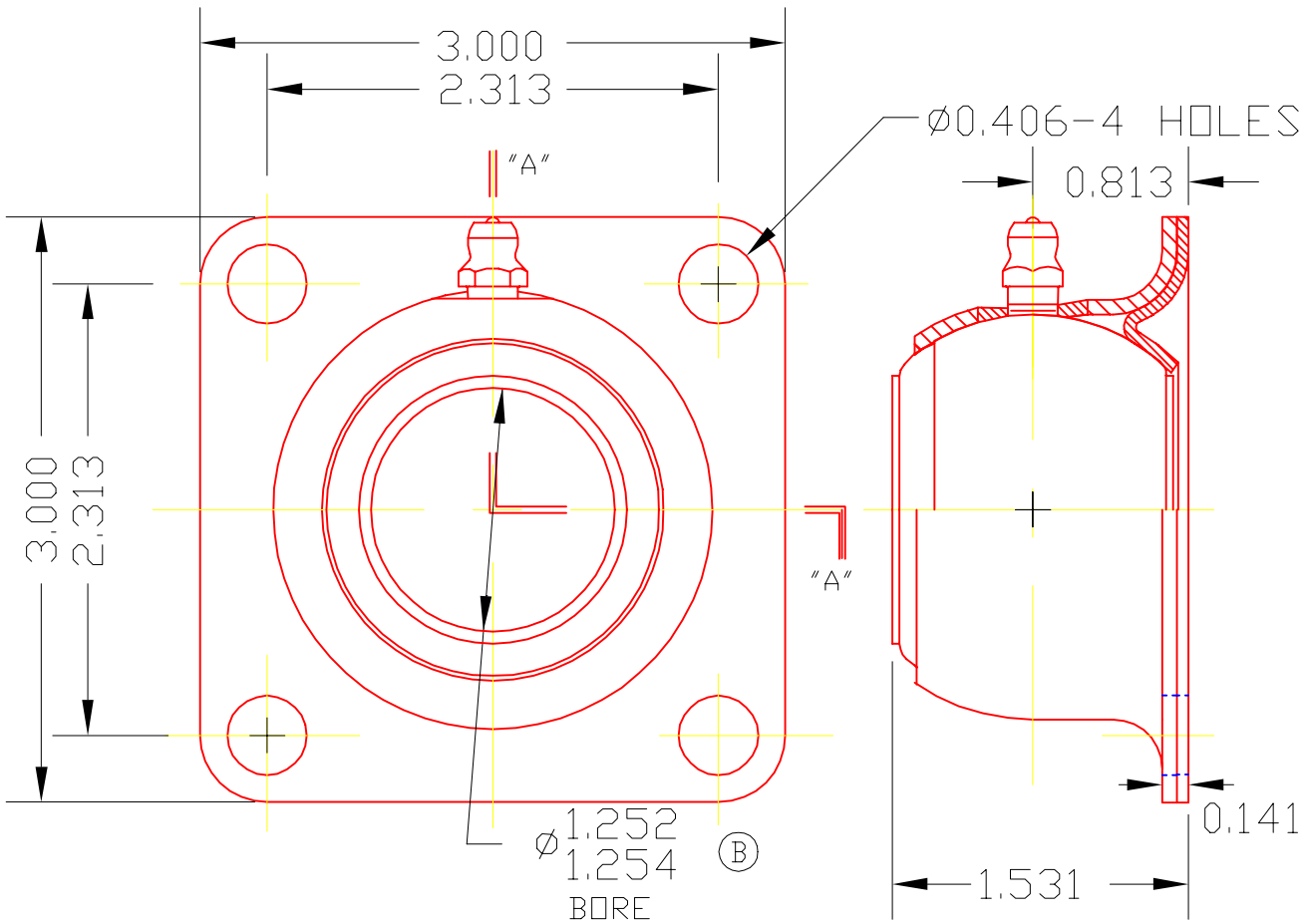


FEE20G



3	E20G	BALL ASS'Y	1
2	1051	BASE	1
1	1050	CONTAINER	1
DET	PART NUMBER	DESCRIPTION	AMT

△ TRIANGLE MANUFACTURING CO.
OSHKOSH, WI.

LUB	NONE
PLATING	GALV.
MATERIAL	SEE DETAILS
ALL DIMS. ±.020 UNLESS OTHERWISE SPECIFIED	

NAME	
USED IN FE MTG.	
DATE 3-1-60	PART NO.
DRAWN BW-88	FEE20G
CHECKED SP	
SCALE 1 / 1	

CHANGE LEVEL
B 04-24-03