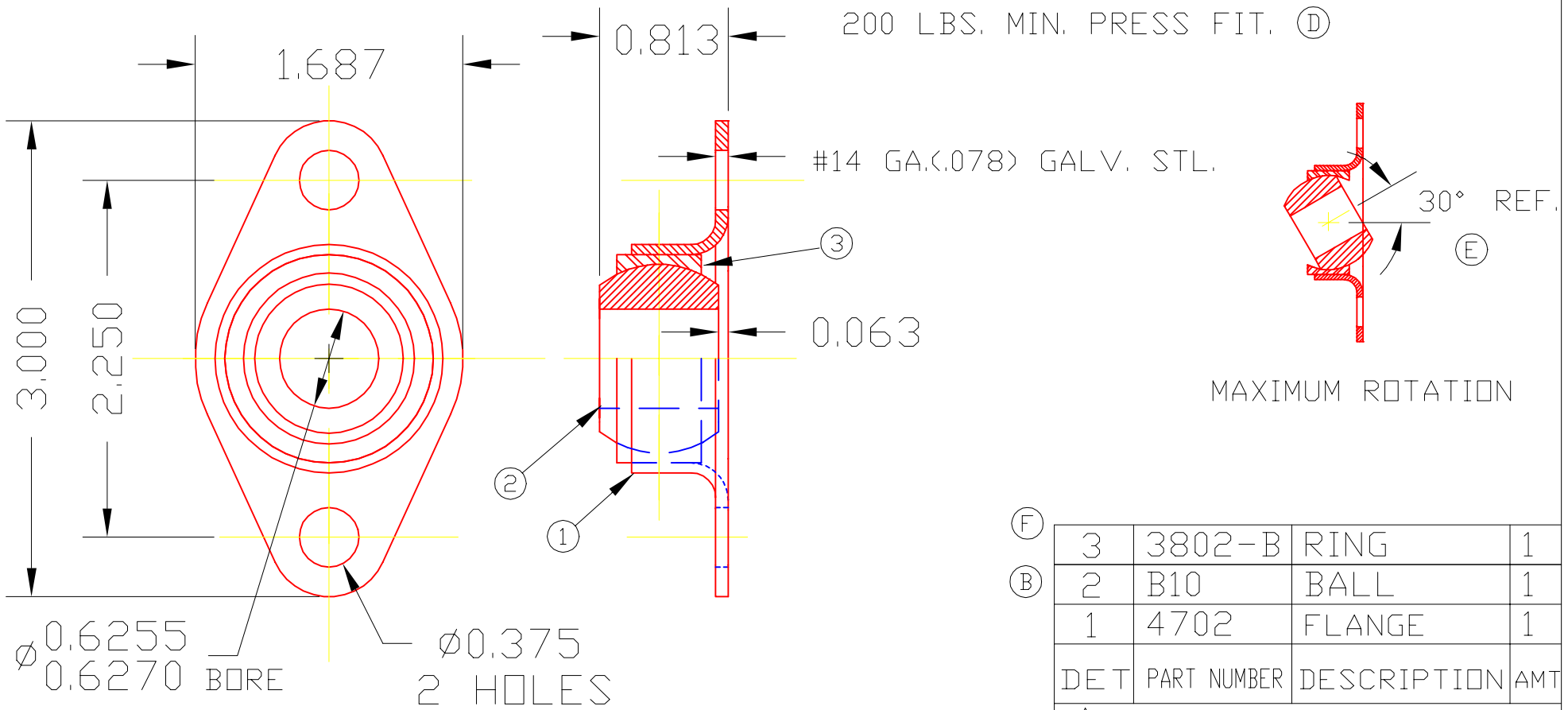


FJB10



(F)	3	3802-B	RING	1
(B)	2	B10	BALL	1
	1	4702	FLANGE	1
DET	PART NUMBER	DESCRIPTION	AMT	

A TRIANGLE MANUFACTURING CO.
OSHKOSH, WI.

NAME FLANGE PILLOW BLOCK

USED IN ////

DATE 4-3-78 PART NO.

DRAWN BW-88

CHECKED SP

SCALE 1 / 1

FJB10

(A)	FIT	SNUG
	PLATING	GALV
	MATERIAL	MILD STEEL & SINT. BRONZE
	ALL DIMS ±.020 UNLESS SPECIFIED	

CHANGE LEVEL	
F	06-19-02