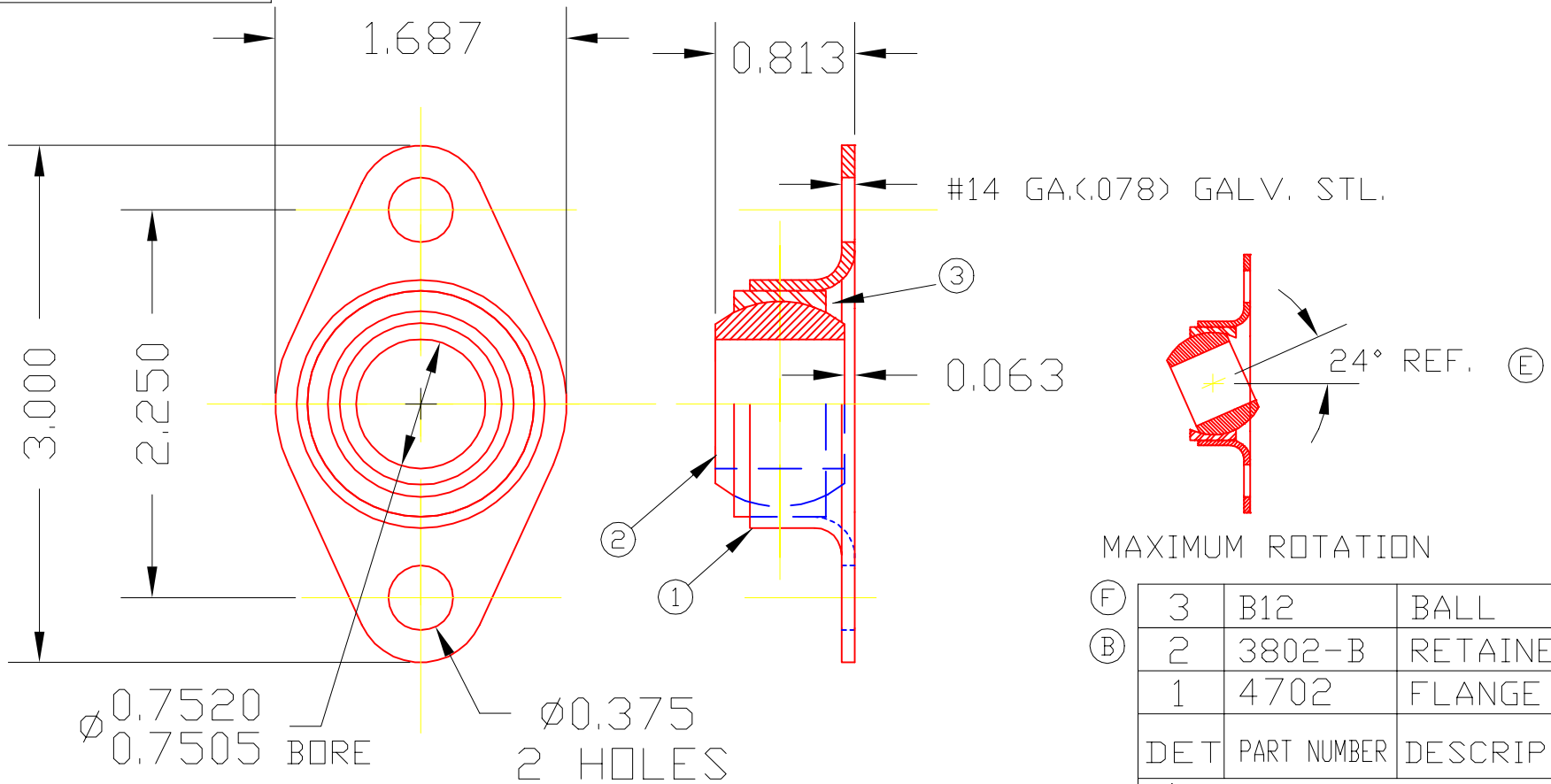


FJB12



MAXIMUM ROTATION

Ⓕ	3	B12	BALL	1
Ⓑ	2	3802-B	RETAINER	1
	1	4702	FLANGE	1
DET	PART NUMBER	DESCRIPTION	AMT	

△ TRIANGLE MANUFACTURING CO.  
OSHKOSH, WI.

NAME SIDE FLANGE BRG. ASSY.

USED IN // // //

DATE 5-1-78

PART NO.

DRAWN LML

CHECKED SP

SCALE 1 / 1

FJB12

200 LBS. MIN. PRESS FIT. Ⓓ

Ⓐ	FIT	SNUG
	PLATING	GALV
	MATERIAL	MILD STL. & SINT. BRONZE
	ALL DIMS ±.020 UNLESS SPECIFIED	

CHANGE LEVEL	
F	04-11-02