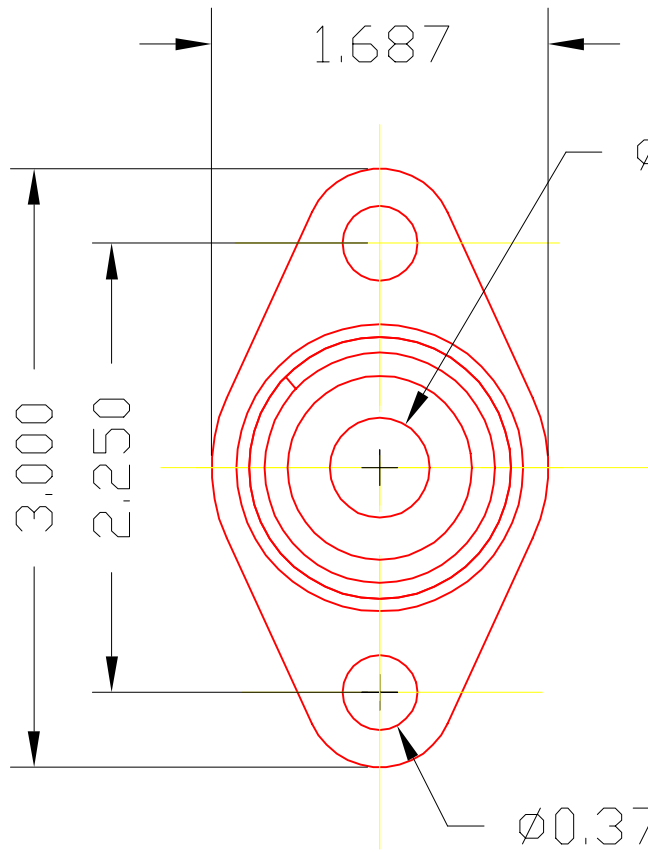
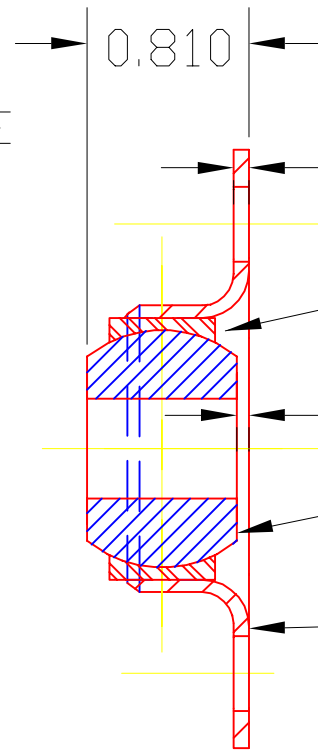


FJB8



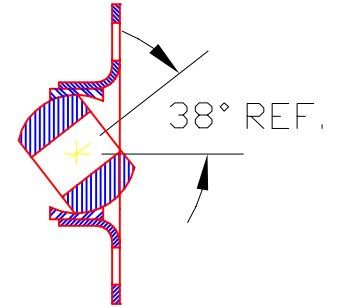
Ø .5005
.5020 BORE

Ø0.375 DIA. 2-HOLES



200 LBS. MIN. PRESS FIT. (A)

#14 GA. (.078) GALV. STL.



MAXIMUM ROTATION

3	3802-B	RING	1
2	B8	BALL	1
1	4702	FLANGE	1
DET	PART NUMBER	DESCRIPTION	AMT

A TRIANGLE MANUFACTURING CO.
OSHKOSH, WI.

NAME SIDE FLANGE

USED IN ///

DATE 08-21-95	PART NO.
DRAWN DR	FJB8
CHECKED DR	
SCALE 1 / 1	

FIT	SNUG
PLATING	GALV
MATERIAL	MILD STL. & SINT. BRONZE
ALL DIMS. ±.020 UNLESS OTHERWISE SPECIFIED	

CHANGE LEVEL
B 06-24-02