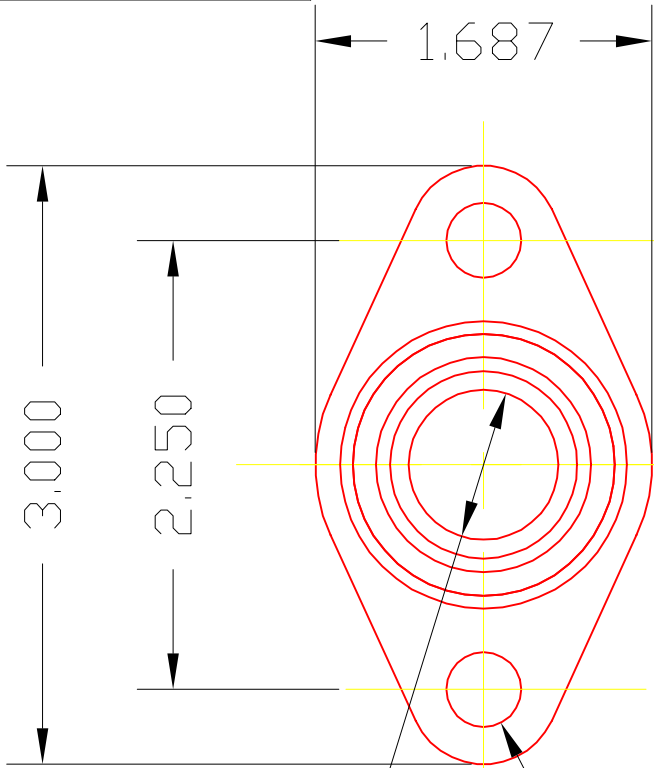


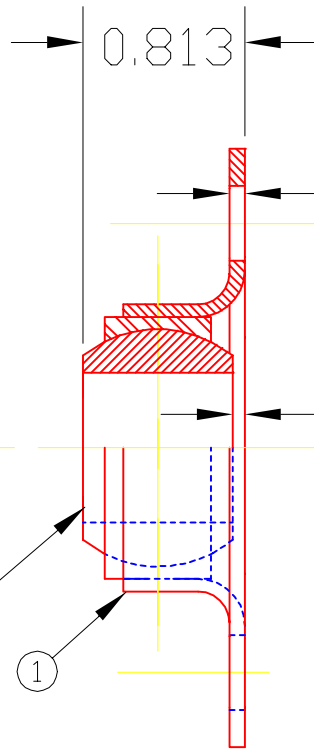
F JM12



FOR 3/4 DIA. SHAFT

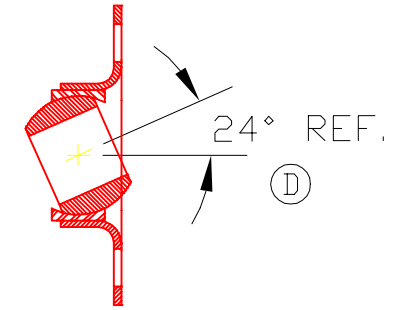
Ø0.375  
2 HOLES

NOTE: FIT MAY VARY



200 LBS. MIN. PRESS FIT. (C)

#14 GA.(.078) GALV. STL.



MAXIMUM ROTATION

(B)

3	M12	BEARING BALL	1
2	3802-B	BALL BUSH RET.	1
1	4702	FLANGE	1
DET	PART NUMBER	DESCRIPTION	AMT

A TRIANGLE MANUFACTURING CO.  
OSHKOSH, WI.

NAME SIDE FLANGE BRG. ASSY.

USED IN // // //

DATE 12-21-84 PART NO.

DRAWN SP

CHECKED SP

SCALE 1 / 1

F JM12

CHANGE LEVEL
D 12-27-01

FIT	SEE NOTE
PLATING	GALV
MATERIAL	SEE DET.
ALL DIMS	±.020 UNLESS SPECIFIED