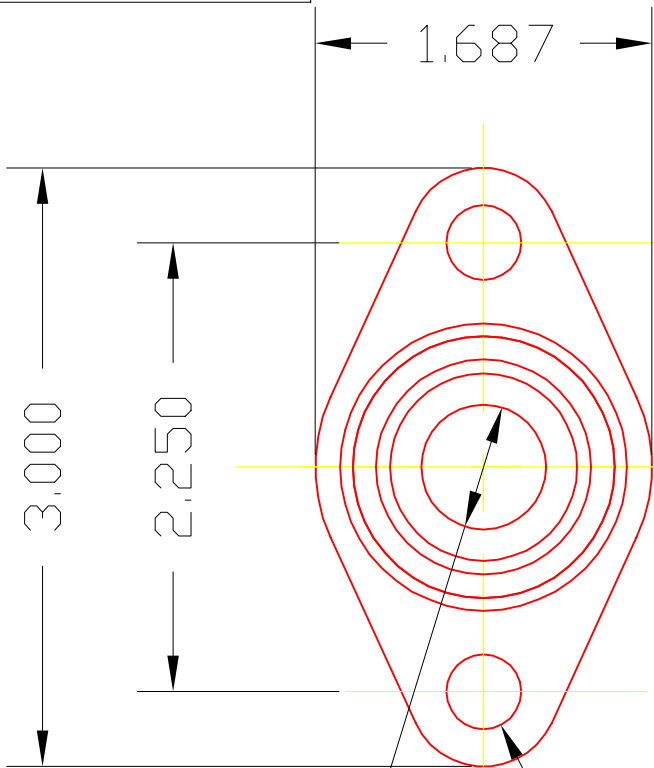
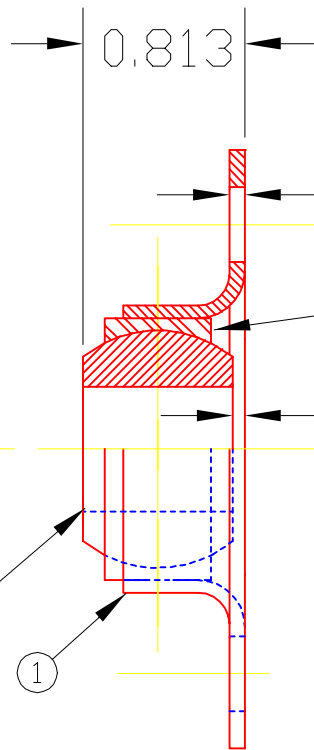


FJW10



0.6255
0.6270 BORE

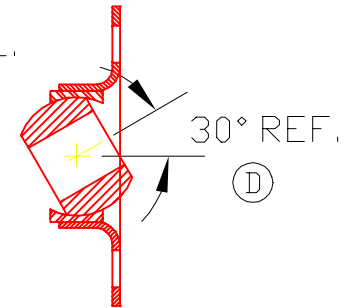
0.375
2 HOLES



200 LBS. MIN. PRESS FIT. (C)

#14 GA.(.078) GALV. STL.

0.063



MAXIMUM ROTATION

(E)

(A)

3	3802-B	RING	1
2	W10	BALL	1
1	4702	FLANGE	1

DET	PART NUMBER	DESCRIPTION	AMT
-----	-------------	-------------	-----

▲ TRIANGLE MANUFACTURING CO.
OSHKOSH, WI.

NAME SIDE FLANGE BRG. ASSY.

USED IN FJ SERIES

DATE 11-5-75

PART NO.

DRAWN BW-88

CHECKED SP

SCALE 1 / 1

FJW10

FIT	SNUG
PLATING	GALV
MATERIAL	MILD STL. & SINT. IRON
ALL DIMS ±.020 UNLESS SPECIFIED	

CHANGE LEVEL	
E	06-19-02